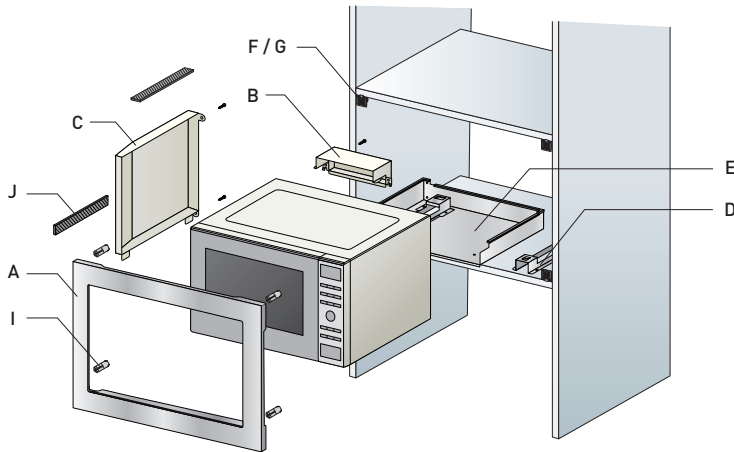


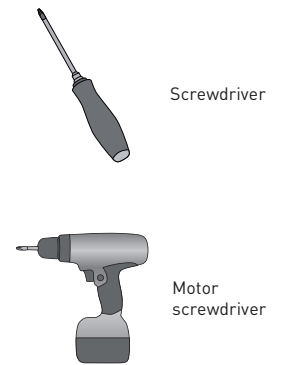
MICROWAVE OVEN BUILT-IN TRIM KIT GUIDE (In case of NN-TK612GSQP)

Parts List

Use Tool

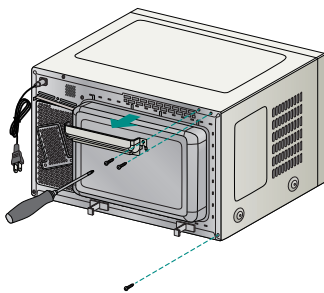


Parts name	
A	Trim Frame
B	Top Duct
C	Left Duct
D	Rail
E	Lower Duct
F	Bracket
G	Catch
H	Screw
I	Strike
J	Tape

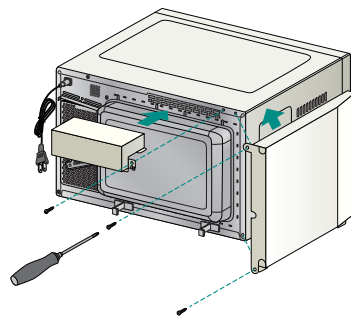


Appliance Preparation

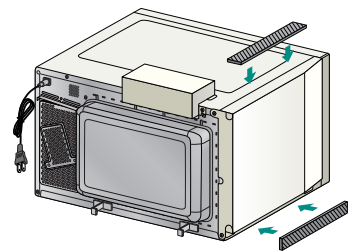
- 1 Remove the Cover and the Screw. (NN-G**) Remove the Screw. (NN-S**)



- 2 Mount the Top Duct [B] and the Left Duct [C] to the oven.

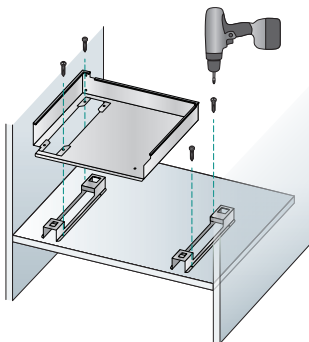


- 3 Put a piece of the Tape [J] on the top and side.

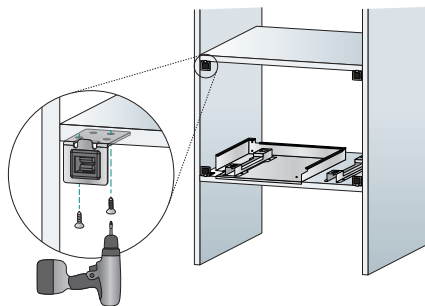


Cabinet Preparation

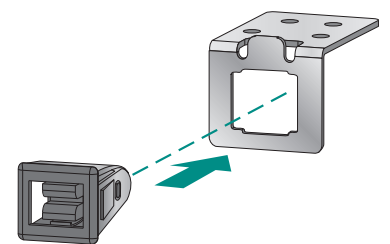
- 1 Attaching the Rail [D] and the Lower Duct [E].



- 2 Mount the Bracket [F] × 4 to the cabinet.

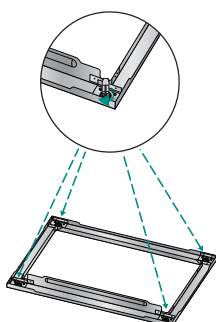


- 3 Mount the Catch [G] × 4 to the Bracket [F].

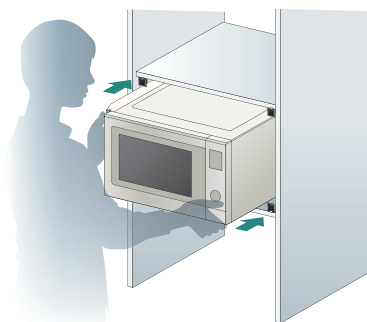


Trim Kit Preparation and Installation

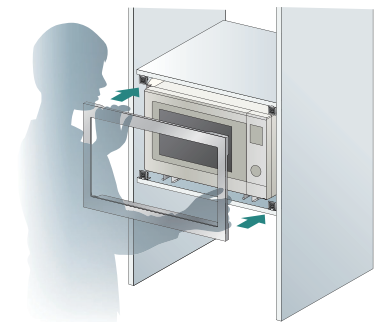
- 1 Inserting the Strike [I] × 4 to the Trim Frame [A].



- 2 Install the oven into the cabinet.



- 3 Install the Trim Frame [A] to the cabinet.



Please refer to Operation Instruction for details.