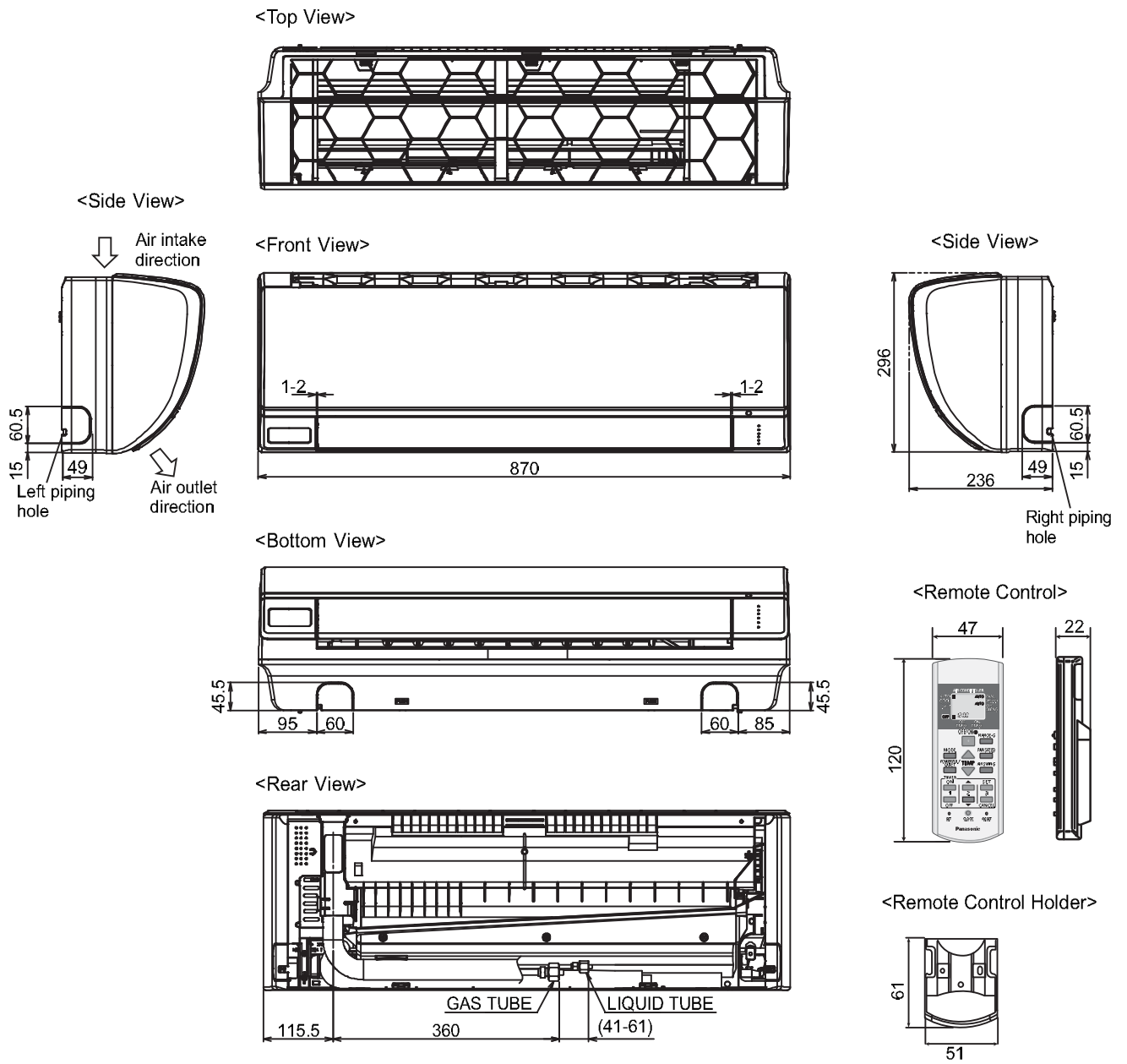


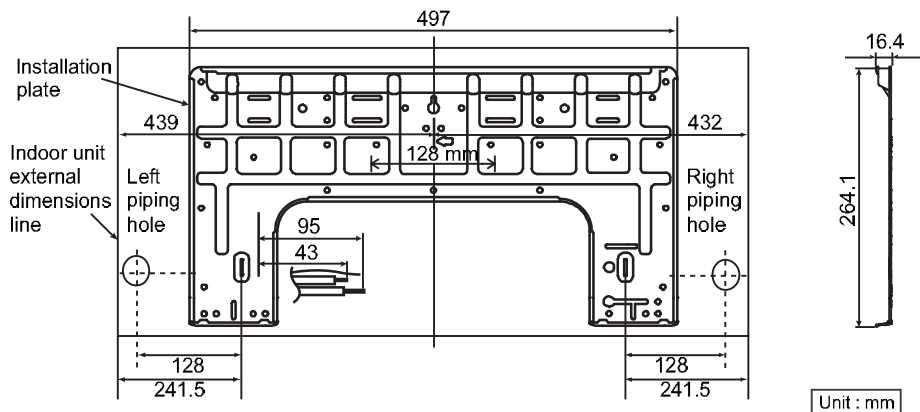
5. Dimensions

5.1 Indoor Unit

5.1.1 CS-V7RWA CS-V9RWA CS-V12RWA

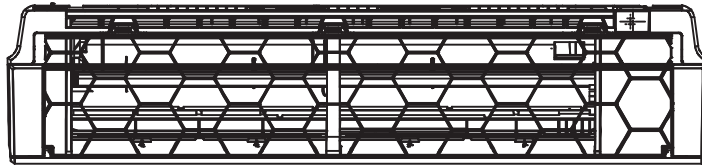


Relative position between the indoor unit and the installation plate <Front View>

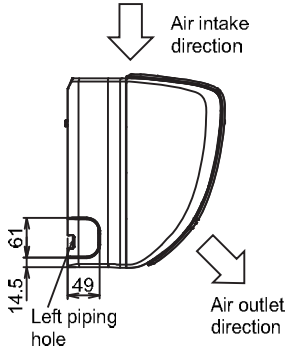


5.1.2 CS-V18RWA

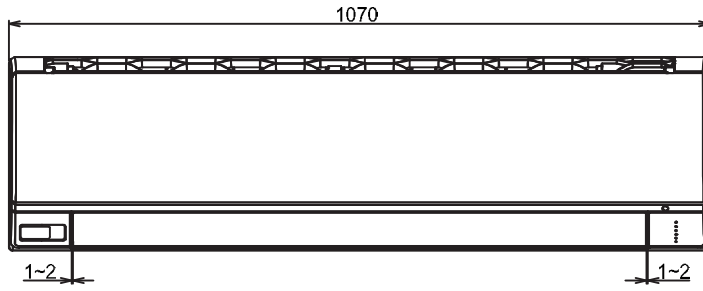
<Top View>



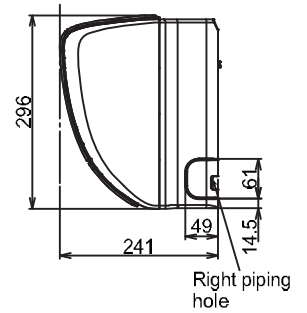
<Side View>



<Front View>



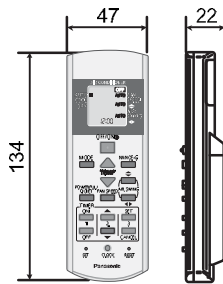
<Side View>



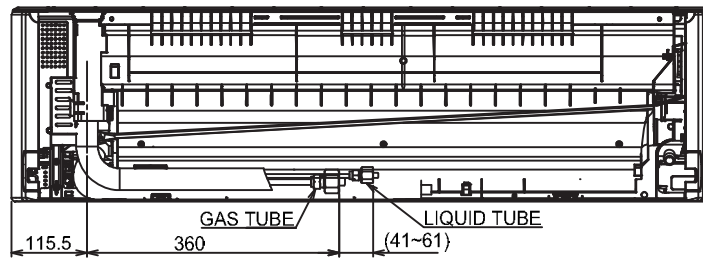
<Bottom View>



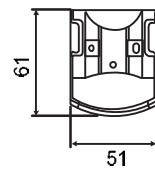
<Remote Control>



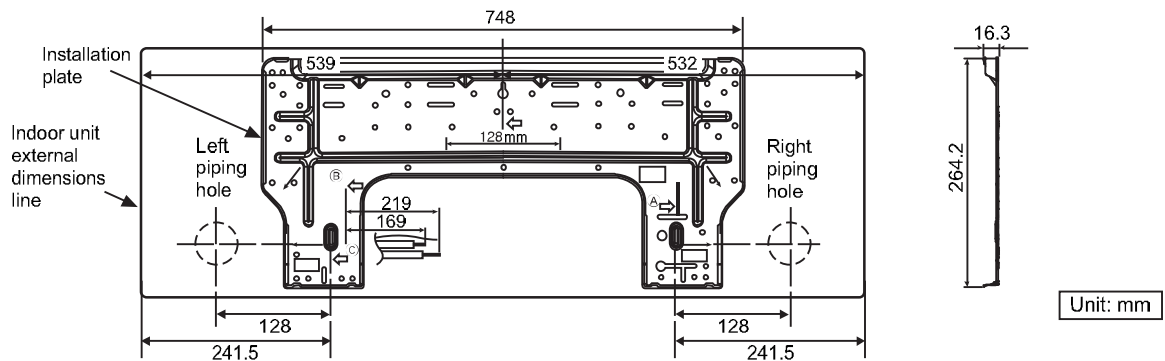
<Rear View>



<Remote Control Holder>

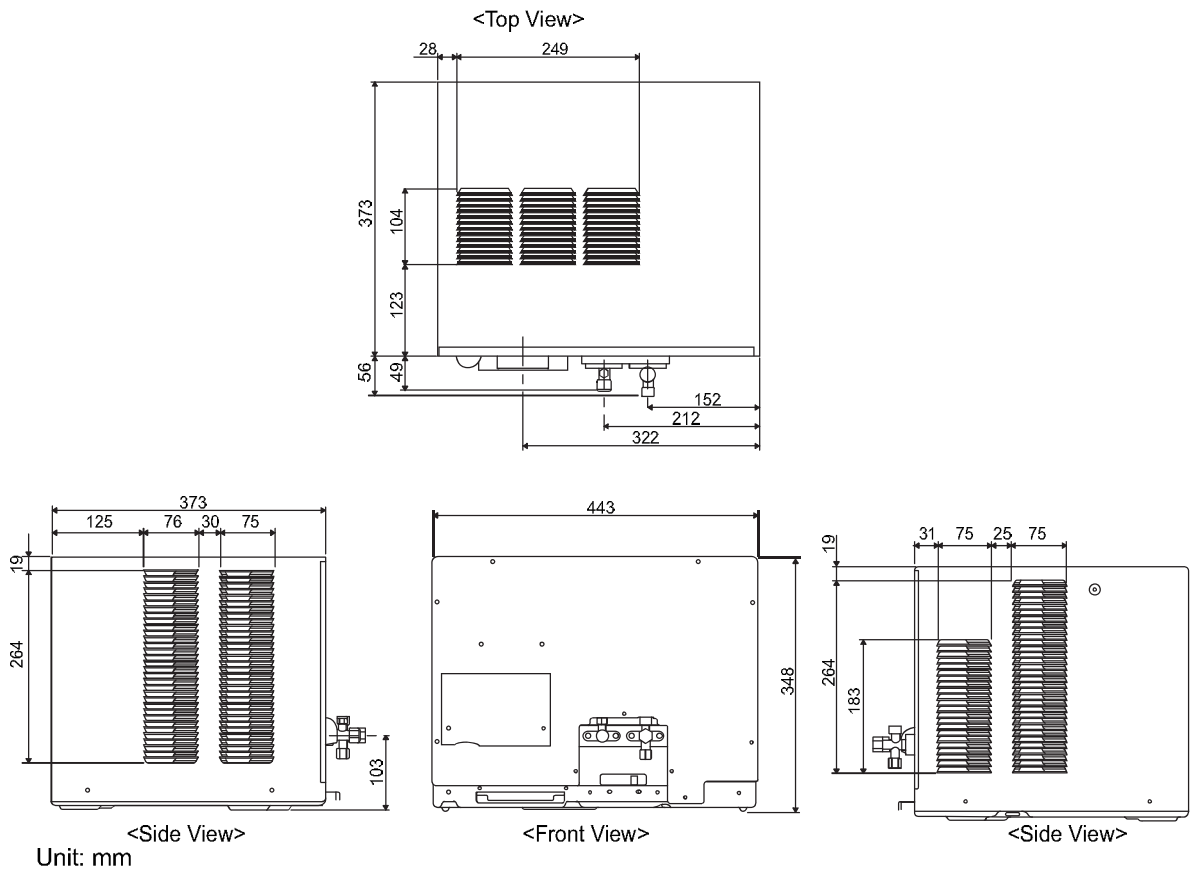


Relative position between the indoor unit and the installation plate <Front View>

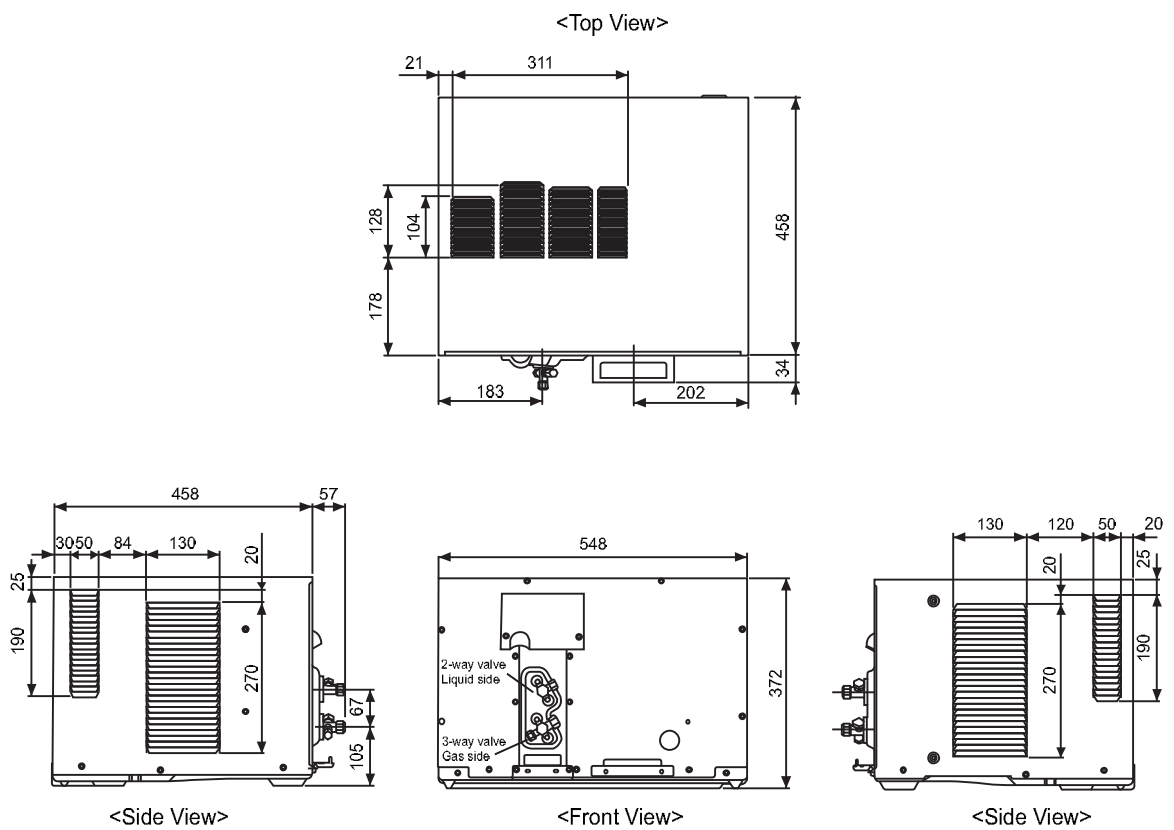


5.2 Outdoor Unit

5.2.1 CU-V7RWA CU-V9RWA

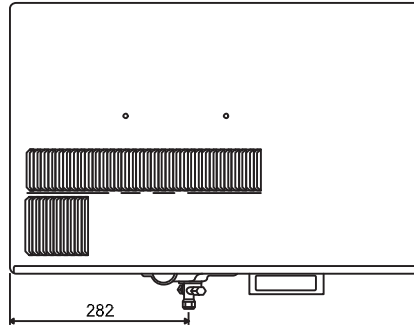


5.2.2 CU-V12RWA

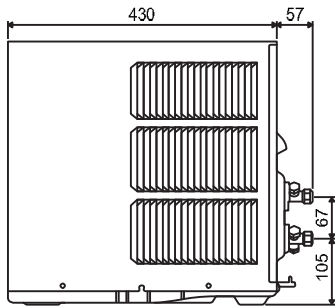


5.2.3 CU-V18RWA

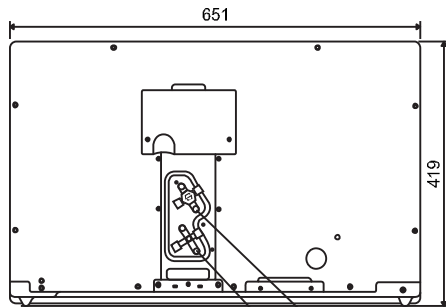
<Top View>



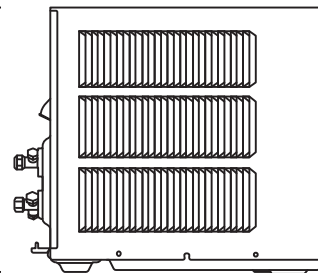
<Side View>



<Front View>



<Side View>



Unit: mm

2-way valve at liquid side
3-way valve at gas side