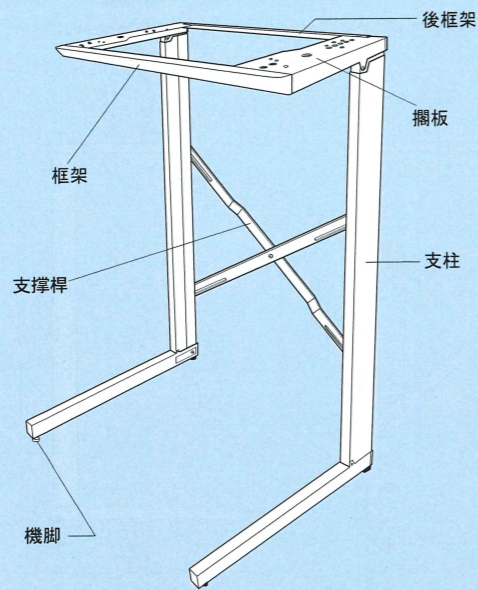


●感謝您購買 Panasonic 乾燥機專用機台。請詳閱此組合說明書後正確的使用。

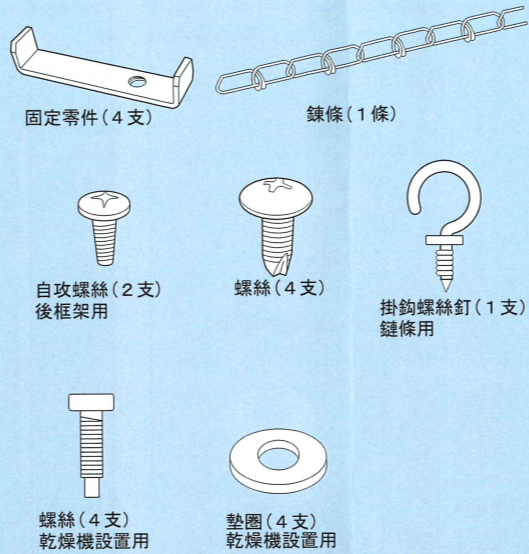
### 注意事項

1. 此機台為 Panasonic 乾燥機專用機台。
2. 掛鏈條用的掛鉤螺絲釘必須固定於堅固的牆壁或鐵柱。不可固定於合板或土壁上。
3. 為了安全起見，必須將鏈條扣上。
4. 漂白劑的原液和稀釋劑、塗料等會損傷塗裝表面，故須小心注意。
5. 順旋緊的部份，則必須完全的旋緊。

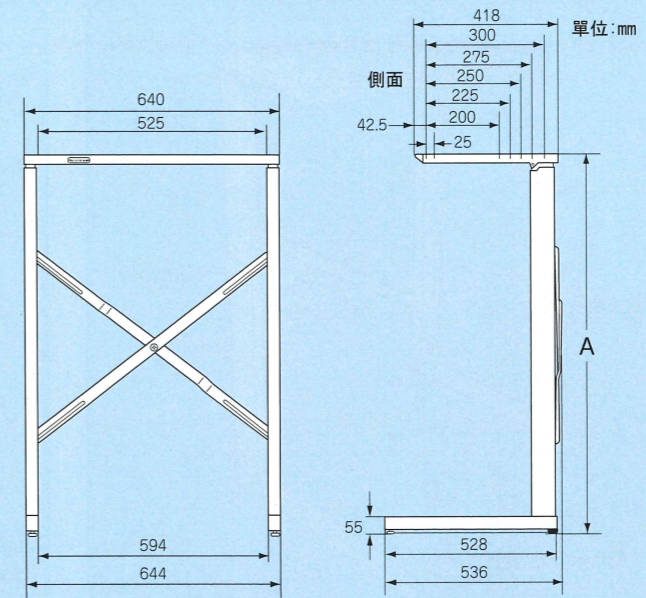
### 零件表



### 組合用零件



### 完成圖



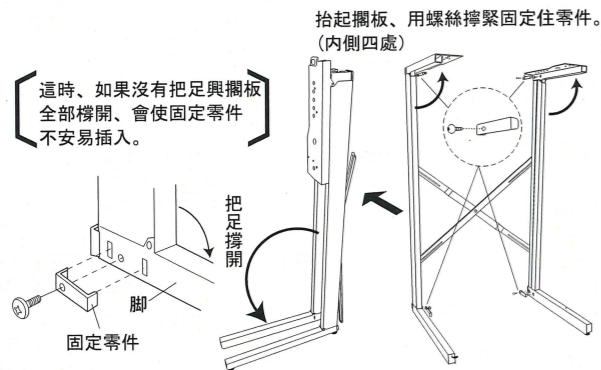
設置標準尺寸表

高	A尺寸
1	1130
2	1150
3	1180
4	1200
5	1230
6	1280

## 組 合 順 序

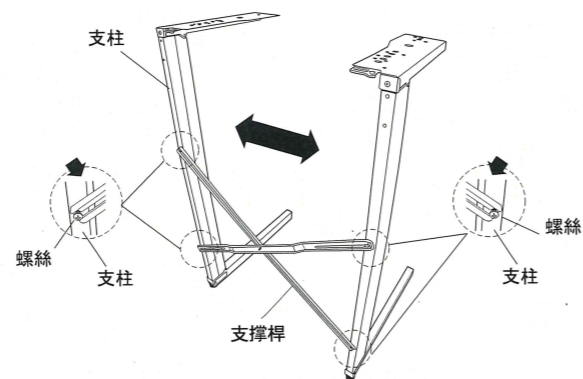
### 1. 拉開支柱、固定住固定零件

- 左右拉開支柱。
- 從上向下壓入支撐桿，將暫時定位螺絲配於支撐桿定位凹部。
- 將固定零件完全嵌入方孔中，用螺絲擰緊固定。



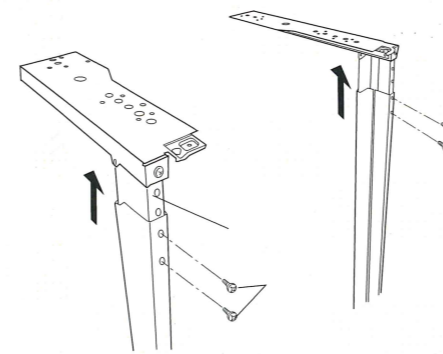
### 2. 固定支撐桿

- 擰緊支撐桿中央的螺絲



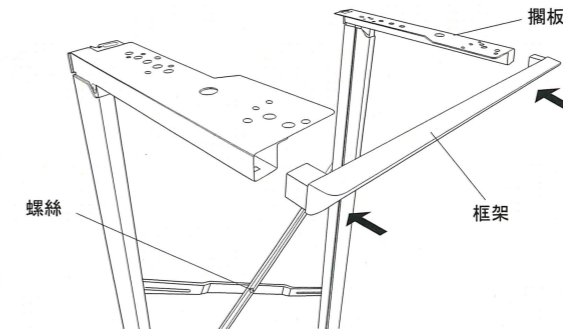
### 3. 調節高度

- 產品出廠時，支柱的高度調節在 1130mm。
- 1. 將支柱後側的 4 只螺絲卸下。
- 2. 與設置尺寸表相應的刻印對準，調節高度，然後將 4 只螺絲固定住。



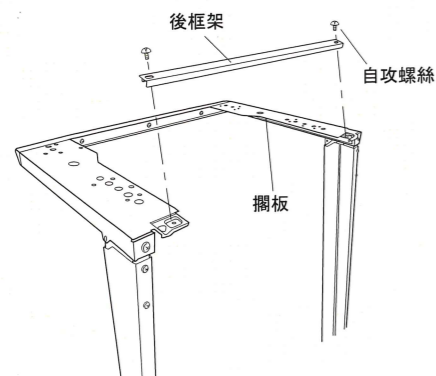
### 4. 裝設框架

- 將裝飾板完全嵌入攔板中。
- 擰緊支撐桿中央的暫時定位螺絲。



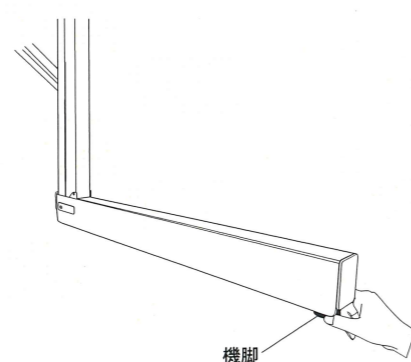
### 5. 裝設後框架

- 確認後框架的前後位置，用所附的二只自攻螺絲固定住攔板。



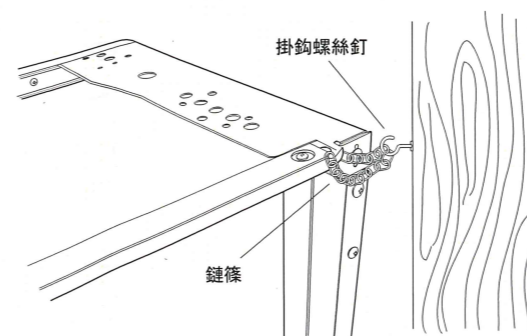
### 6. 平衡調節

- 使用機脚 (前端 2 處) 調整機台的平衡。



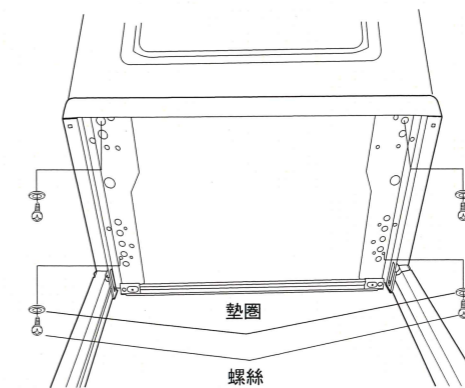
### 7. 鏈條的裝設

- 如下圖所示，鏈條保有適當長度的掛設於已固定於後壁的掛鉤螺絲釘上。



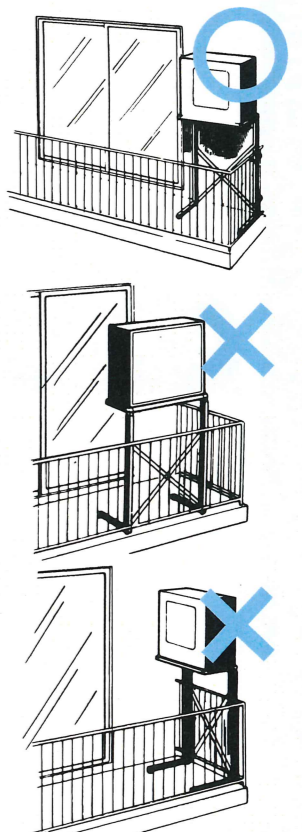
### 8. 關於乾燥機的設置

- 使用組合附帶的四只螺絲和四只墊圈，將組合架上的孔眼與乾燥機底部的安裝孔對準後安裝擰緊。



### 屋外設置時須知

- 務請儘可能設置於屋內，以免造成被陣風所吹倒或掉下等難以預料的危險。如果不得不設置於屋外時，必須固定於設有後壁的地方。



# Panasonic Dryer Stand For use only with Panasonic fully automatic washing machines N-UF11T Assembly Instructions

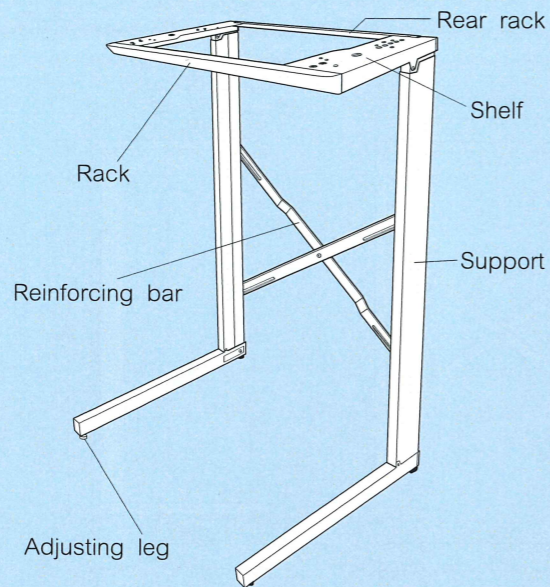
Panasonic Corporation  
Web Site: <http://www.panasonic.co.jp/global/>

Thank you very much for your purchase of the exclusive stand for Panasonic dryers. Please be sure to read this manual before you assemble and use it.

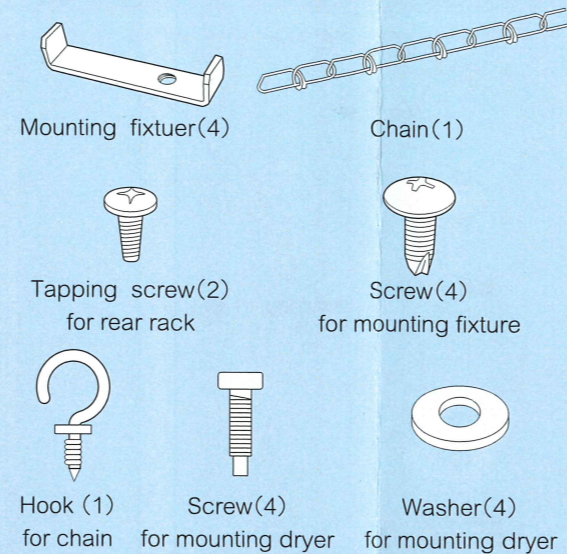
## CAUTIONS

1. This dryer stand is exclusive for Panasonic dryers.
2. The chain hook is to be secured to a solid wall of pillar, not to a plywood or plaster wall.
3. Be sure to attach the chain to ensure safety.
4. Remember that undiluted bleaching liquor, lacquer thinner, lacquer etc. Possibly affect its painted surface.
5. Be sure to fasten every joint securely.

## TABLE OF PARTS



## PARTS ATTACHED



## COMPLETED FRAME WORK

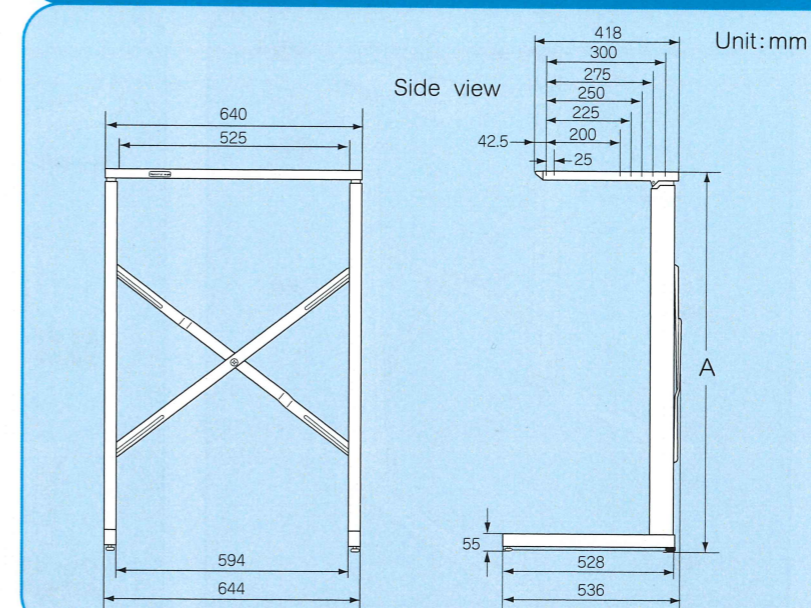


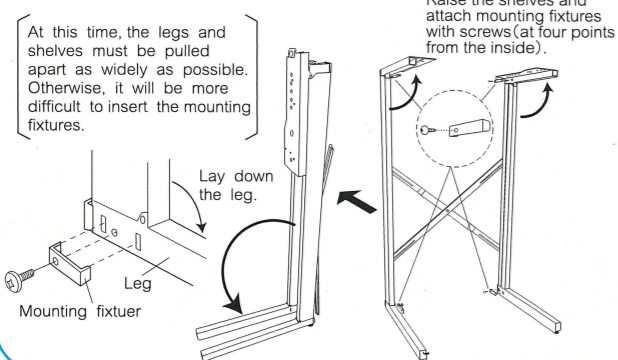
TABLE OF STANDARD DIMENSIONS

Installation height	
Stamp indication	Dimension A
1	1130
2	1150
3	1180
4	1200
5	1230
6	1280

## ASSEMBLY PROCEDURE

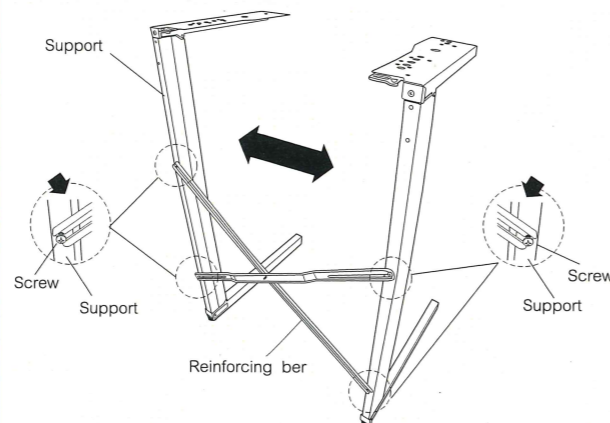
### 1. Pull the supports apart and fix them with mounting fixtures.

- Pull the supports apart.
- Push down the reinforcing bars so that a temporary screw can fit in each of their positioning cavities.
- Securely insert a mounting fixture in the rectangular holes of each leg and fix it with a screw.



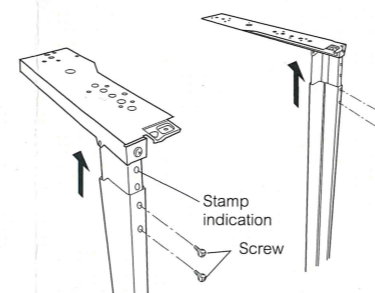
### 2. Fix the reinforcing bar.

- Tighten the screw in the middle of the reinforcing bars.



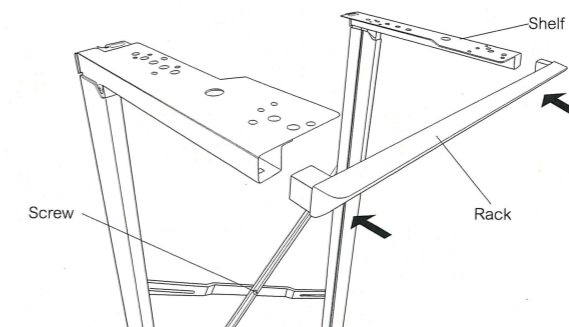
### 3. Adjust the height.

- The height of the supports is set at 1130mm in the factory.
- 1. Unscrew the four screws from the back of the supports.
- 2. Referring to the table of standard dimensions, adjust the height of the supports, then tighten the four screws.



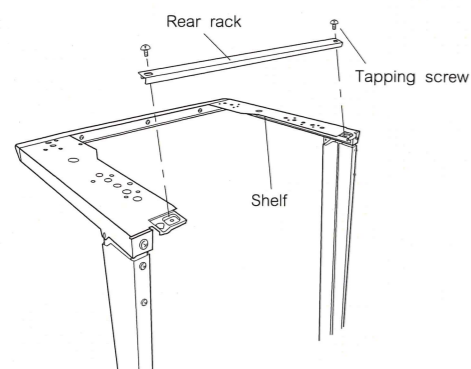
### 4. Attach the rack.

- Securely insert the rack into the shelf.
- Tighten the temporarily attached screw in the center of the reinforcing bars.



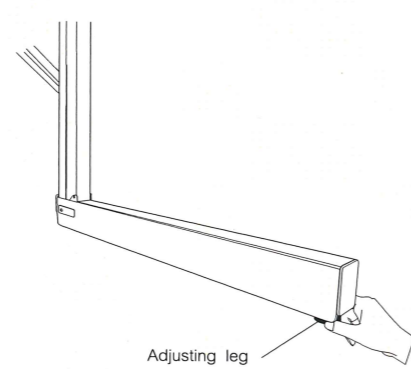
### 5. Attach the rear rack.

- Confirm the orientation of the rear rack and fix it to the shelf with the two tapping screws that come with the stand.



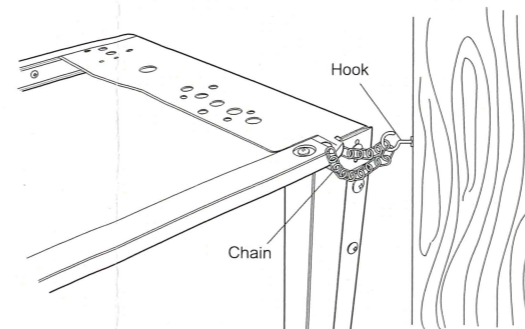
### 6. Adjustment for elimination of shakiness.

- Adjust to eliminate shakiness with the two adjustment legs under the fore ends of the supports.



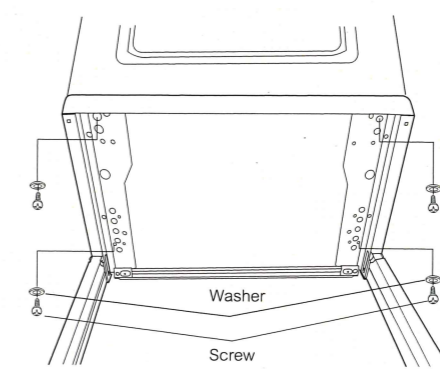
### 7. Attaching chain.

- As shown below, affix the chain to the hook which has been attached to the wall behind. Have the chain somewhat slack.



### 8. Mounting dryer.

- Align the holes on the rack unit with the holes on the bottom of the dryer, then mount and tighten the four screws and the four washers that come with the stand.



## Notes concerning outdoor installation.

Because installation outdoors is accompanied by the danger of such accidents as the washer and dryer being knocked over by the wind, etc., indoor installation is recommended whenever possible. If installation on a veranda or other outdoor location is unavoidable, be sure to install so that there is a wall directly behind the washer and dryer.

