

INSTALLATION AND OPERATING INSTRUCTIONS

安裝使用說明書

Thermo Ventilator
浴室換氣暖風機

Model No. **FV-30BG3H**
型號：

CONTENTS

SAFETY INSTRUCTIONS	2
INSTALLATION INSTRUCTIONS	2~4
INSTALLATION REQUIREMENTS	5~6
SUPPLIED ACCESSORIES	6
PART NAMES AND DIMENSIONS	7
WORK BEFORE INSTALLATION	7~8
HOW TO INSTALL	8~15
TEST RUN	16
FUNCTION OF REMOTE CONTROL	16~17
HOW TO USE VENTILATION FUNCTION	17
HOW TO USE TIMER FUNCTION	18
HOW TO USE AIR DIRECTION FUNCTION	19
HOW TO USE HEATING FUNCTION	20
HOW TO USE DRYING FUNCTION	21
MODE BUTTON PANEL ON MAIN BODY	22
USE AND MAINTENANCE INSTRUCTIONS	23~24
MAINTENANCE	25~26
ANTIBACTERIAL FUNCTION	26
TROUBLESHOOTING	27
WIRING DIAGRAM	27
SPECIFICATIONS	BACK COVER

目錄

安全指引	2
安裝注意事項	2~4
安裝要求	5~6
包裝附件清單	6
部件名稱和尺寸	7
安裝前事項	7~8
安裝方法	8~15
試運轉	16
遙控器功能介紹	16~17
換氣功能的使用方法	17
定時功能的使用方法	18
風向功能的使用方法	19
暖氣功能的使用方法	20
乾燥功能的使用方法	21
機體模式按鈕面板	22
使用及維護注意事項	23~24
維護方法	25~26
抗菌功能	26
常見故障的識別與處理	27
電氣原理圖	27
規格	末頁

Thank you for purchasing this Panasonic product.

Please read these instructions carefully before attempting to install, operate or service the Panasonic product. Please carefully read "INSTALLATION INSTRUCTIONS" (P.2~4) of this instructions before installation. Failure to comply with instructions could result in personal injury or property damage. Please explain to users how to operate and maintain the product after installation, and this booklet should be presented to users. Please carefully read "USE AND MAINTENANCE INSTRUCTIONS" (P.23~24) of this instructions before operation. Please retain this booklet for future reference.

感謝您選用Panasonic產品。

安裝、使用和保養Panasonic產品前，請仔細閱讀本安裝使用說明書。安裝前，請務必先閱讀“安裝注意事項”（第2~4頁）。不遵照此說明書進行操作有可能導致人員受傷或財產損失。安裝完成後，請向顧客說明如何使用和維護Panasonic產品，並將此說明書交給顧客保管。使用前，請務必先閱讀“使用及維護注意事項”（第23~24頁）。請妥善保管好此說明書以備日後參考。


- Disconnect power supply before maintenance.
維護保養前先斷電。
- This appliance is not intended for use by persons (including children) with reduced physical, sensory or mental capabilities, or lack of experience and knowledge, unless they have been given supervision or instruction concerning use of the appliance by a person responsible for their safety. Children should be supervised to ensure that they do not play with the appliance.
本產品不適合有殘疾、智障或精神障礙的人士或缺乏經驗、常識者(包括兒童)維護使用，除非在負責他們安全的人士的看護或指導下使用。在維護保養期間，兒童應該有人進行看護，以防將產品當做玩具。


The following instructions should be strictly observed in order to prevent injury to the users and other people, or damage to property.

為避免給您及其他人造成傷害，這裡我們列出了以下安全注意事項，請務必遵守，各種標誌的含意請參見以下內容。

- The degrees of injury or damage that can occur when the instructions are ignored and if the product is not used properly have been classified and described by the following indications.



對無視表示內容，錯誤地使用時，會引起的危害或損傷的程度，用下列符號進行分類、說明。

 **WARNING**
警告 This indication means: Must be treated seriously that this may result in death or serious injury.
本標誌所表示內容為“不遵守的話可能造成人員死亡或重傷”。

 **CAUTION**
注意 This indication means: Must be treated seriously that this may result in injury or physical damage.
本標誌所表示內容為“不遵守的話可能造成人身輕傷或其他財產損害”。

- Types of instructions that should be observed have been classified and described by the following pictorial symbols.

對希望遵守的內容和種類，用下列符號進行分類、說明。

  This symbol indicates the item is “PROHIBITED” to do.
此標誌表示為禁止事項

  This symbol indicates the “COMPULSORY” item that must be followed without failure.
此標誌表示為強制事項


 This symbol indicates the item is “CAUTION”.
此標誌表示為提示注意事項

INSTALLATION INSTRUCTIONS

安裝注意事項


WARNING **警告**

- The product must be grounded.
必須接地。

 Otherwise, it may cause electric shock when there is any trouble or electric leakage.
否則當出現故障或漏電時，可能會觸電。

- Make sure the power cord is installed firmly.

確保電源線安裝到位。

 Otherwise, a fire may be caused.
否則可能會導致火災。



WARNING

警告

- Please select 60227 IEC 53 ordinary polyvinyl chloride sheathed cord. Nominal cross-sectional area of conductors is $3 \times 1.5 \text{ mm}^2$.

電源線請選用60227 IEC 53型絞合軟線，導線的截面積為 $3 \times 1.5 \text{ mm}^2$ 。



Otherwise, it may be on fire.
否則可能會導致起火。

- Installation and wiring should be done by authorized person. (Wiring is required to follow the local wiring regulations.)

安裝及電源佈線必須由專業人員完成。
(產品安裝必須符合當地的安全法規。)



Otherwise, a fire may be caused.
否則可能會導致火災。

- Disconnect power source before working on the product.

安裝、維修保養時必須斷開電源。



Otherwise, an electric shock may be caused.
否則可能會導致觸電。

- To avoid danger arising from wrong resetting of the thermal circuit breaker, the product can not be powered by using an external switch. For example, by a timer or connecting to a circuit that is connected/disconnected through timing of a universal part.

為避免由熱斷路器的誤復位產生危險，產品禁止通過外部開關裝置供電。例如，定時器或者連接到由通用部件定時進行通、斷的電路。



Otherwise, a fire may be caused.
否則可能會導致火災。

- Do not install the product near curtains and other flammable materials.

禁止靠近窗簾和其他可燃材料安裝。



Otherwise, combustibles may be inflamed.
否則可能會引燃可燃物。

- Please install a suitable all-pole switch which the contact separation is more than 3 mm. Please install the all-pole switch out of the bathroom where it is easily controlled.

安裝時，須在供電線路中安裝其觸點開距不小於3 mm的合適的“電源全極開關”，以用於接通或斷開主機電源，且安裝在浴室外側方便操作的地方。



Otherwise, it may cause a short circuit, thus resulting a fire.
否則可能會導致短路，導致火災。

- Do avoid the back-flow of gas into the room from the open flue of flammable gas or other open-fire appliances.

必須避免易燃氣體從敞開的氣道或其他燃燒燃料的設備回流進室內。



Otherwise, a fire may be caused.
否則可能會導致火災。

- The product is installed so that switches cannot be touched by a person in the bath or shower.

產品的安裝，應使得浴缸內或淋浴區的人不能夠觸及到開關。



Otherwise, an electric shock may be caused.
否則可能會導致觸電。

- Do not install the product as the method which is not approved in the instruction.

禁止使用本說明書指定以外的方法進行安裝。



Otherwise, unreliable installation may be caused and thus the product may fall off, resulting in injuries.
否則可能會安裝不牢固，導致產品掉落受傷。

⚠ WARNING 警告

■ The product can not be located just below a power outlet socket.

禁止把本產品安放在電源插座下使用。



Otherwise, a fire may be caused.
否則可能會導致火災。

■ Do not operate the product other than the rated voltage (220 V~ 50 Hz).

禁止使用額定電壓(220 V~ 50 Hz)以外的電壓。



Otherwise, it may cause damages to the product or a fire.
否則可能會損壞本產品或導致火災。

⚠ CAUTION 注意

■ Do not reconstruct this product.

禁止對本產品進行改造。



Otherwise, it may cause damage to the product or personal injury.
否則可能會導致產品損壞或受傷。

■ Do fix this product tightly.

機體安裝必須牢固。



Otherwise, it may fall off to cause personal injury.
否則可能會掉落，導致受傷。

■ Components must be installed tightly.

部品安裝必須牢固。



Otherwise, it may fall off to cause personal injury.
否則可能會掉落，導致受傷。

■ The special-purpose or dedicated parts, such as mounting fixtures, must be used if such parts are provided.

有安裝五金件等專用零部件時，應使用專用零部件。



Otherwise, it may fall off to cause personal injury.
否則可能會掉落，導致受傷。

■ The product should not be mounted on a ceiling or with suspenders not strong enough. If it cannot be ensured to bear the weight of the mounted product, that wall must be reinforced. Suspenders and wooden frame must be subjected to static load more than five times the weight of the product.

不得安裝在強度不夠的天花板上或使用強度不夠的吊桿，如不能確保安裝強度，請務必採取加固措施。用於支承及安裝本產品的木框或吊桿，需可承受產品5倍的重量。



Otherwise, it may fall off to cause personal injury.
否則可能會掉落，導致受傷。

■ Please ensure two persons perform the installation of the product.

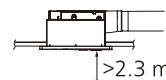
請兩人進行產品的安裝作業。



Otherwise, it may fall off to cause personal injury.
否則可能會掉落，導致受傷。

■ Install this product over 2.3 m above the floor.

產品安裝高度距地面必須大於2.3 m。

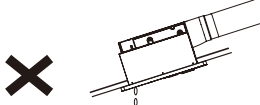


Avoiding any accidents
防止意外

- Do not form the duct as shown below:
安裝管道應該避免以下情況：

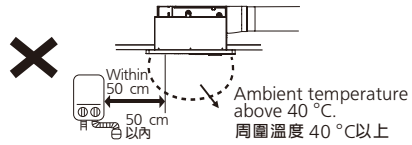


- Do not install onto slanting ceiling.
請勿安裝在傾斜的天花板上。



Prevent the water condensed in the duct pipe flow back into the body.
防止水倒流。

- Do not install the product in places with high temperature.
請勿安裝在高溫的環境下。



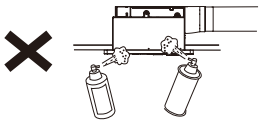
- Do not install the product in steam sauna bathroom.
請勿安裝在桑拿蒸氣浴室中。



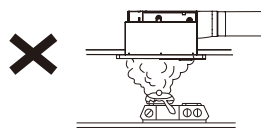
- Do not install the product in the places where the organic solvent is used.
請勿安裝在使用有機溶劑的場所。



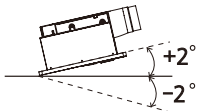
- Do not install the product in the places where the sprayer is used.
請勿安裝在使用噴霧器的場所。



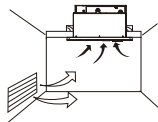
- Do not install the product where it is exposed to oil mist.
請勿安裝在油煙過多的場所。



- Please make sure the product is installed horizontally and the deviation angle within the range as below figure.
請確保整機水平安裝偏差角度在 $\pm 2^\circ$ 之間。



- Please set ventilation holes.
請設置通風口。



- When the ceiling is unable to dismantle, please set a square inspection hole of at least 45 cm (The inspection hole should not be directly under the duct pipe).
吊裝且天花板無法拆下時，請設置一個邊長 45 cm 以上的方形點檢口（點檢口不能在管道正下方）。



Convenience for installation and maintenance.
方便安裝、維修

- Do not install this product in a public bath room.
請勿把本產品安裝在公共浴室。

- Do not install this product in a wardrobe.
請勿把本產品安裝在衣櫃內。

- The pipe for hanging clothes should be installed at the position of 250 mm apart from the product, please see P.21 for details.
掛衣用管的安裝應距離產品 250 mm，詳細請參考第 21 頁。

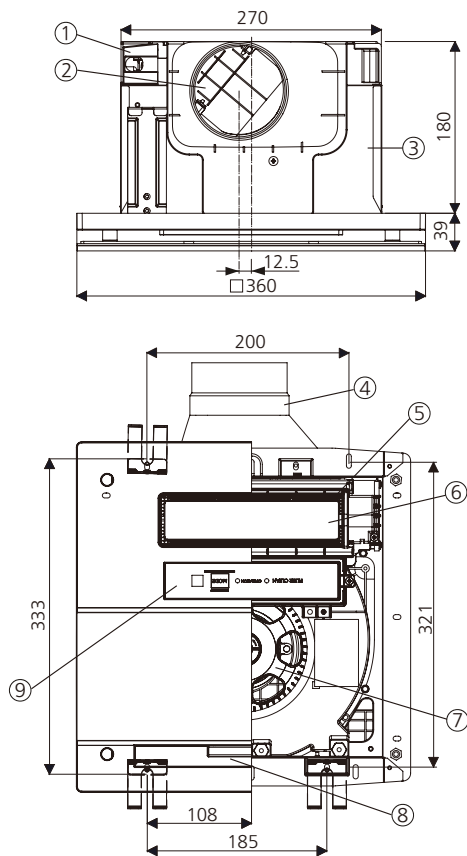
- The product is not provided with power cord, all-pole switch and leakage protection switch. Please purchase them in market.
本產品沒有提供電源線，電源全極開關和漏電保護開關，需用戶另購。
- When you install plastic part, do not exert too much strength to fixing the screw, otherwise, the product would be damaged.
安裝塑料部件時，為了不損壞產品，鎖螺絲時請注意不要用力過大。

SUPPLIED ACCESSORIES

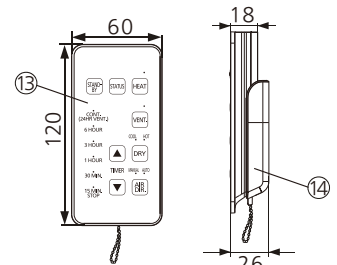
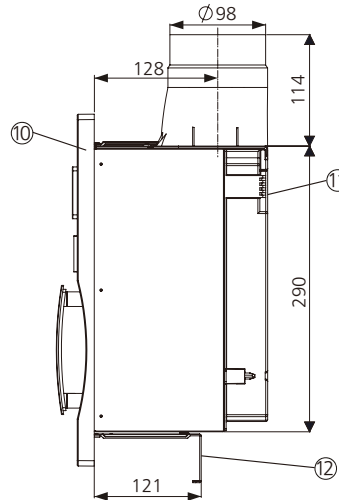
包裝附件清單

No. 代號	Drawing 圖樣	Name and Purpose 名稱及用途	Qty 數量
①		Machine screw (M4×8, used to install the louver assembly) 機械螺絲(M4×8用於面板組合安裝)	4
②		Self-tapping screw (φ4×20, used to install the main body and adapter and prevent the main body from falling) 自攻螺絲(φ4×20用於機體及出風口接頭的安裝及機體防跌落)	6
③		Self-tapping screw (φ4×16, used to install the remote control base) 自攻螺絲(φ4×16用於遙控器底座安裝)	2
④		Self-tapping screw (φ4×13, used to install the main body and the suspension bracket) 自攻螺絲(φ4×13用於機體與懸吊支架的安裝)	3
⑤		Self-tapping screw (φ4×10, used to install the adapter for ceiling board has not been installed) 自攻螺絲(φ4×10用於未裝天花板吊裝的出風口接頭的安裝)	1
⑥		Product warranty registration 產品保修登記	1
⑦		Installation and operating instructions 安裝使用說明書	1
⑧		Adapter 出風口接頭	1
⑨		Louver assembly 面板組合	1
⑩		Remote control assembly 遙控器組合	1
⑪		R03(AAA) Manganese battery R03(AAA)碳性電池	2
⑫		Suspension bracket (placed in the packaging foam) 懸吊支架(放於包裝泡沫中)	3

Unit:mm 單位:mm



No. 序號	Part name 部件名稱	No. 序號	Part name 部件名稱
①	Cord cover 接線蓋板	⑦	Fan 扇葉
②	Shutter 高氣密性擋片	⑧	Filter assembly 過濾網組合
③	Main body 機體	⑨	Mode button panel 模式按鈕面板
④	Adapter 出風口接頭	⑩	Louver assembly 面板組合
⑤	Heater assembly 加熱器組合	⑪	PCB cover 電路板蓋板
⑥	Baffle plate 導風板	⑫	Suspension bracket 懸吊支架
		⑬	Remote control 遙控器
		⑭	Controller holder 遙控器底座



WORK BEFORE INSTALLATION

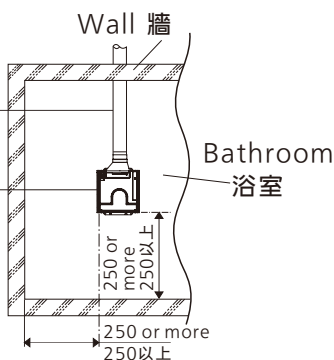
安裝前事項

1. Confirmation before installation 安裝前確認事項

Unit:mm 單位:mm

Duct pipe 管道

Product 產品



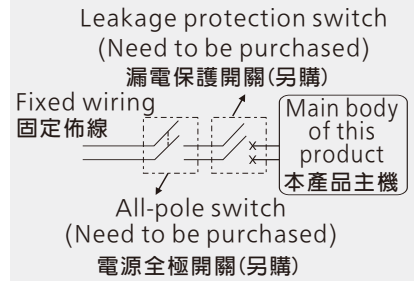
Notice 提示事項

1. Install this product over 200 mm apart from curtains or other flammable materials. (When the mounting hole is adjacent to curtains or other flammable materials, ensure that more than 250 mm gap is required between the hole edge and wall.
離窗簾和其他易燃材料距離200 mm以上。(安裝孔鄰近窗簾和其他易燃材料時，需保證開口邊緣距牆壁的距離在250 mm以上。)
2. The distance between ceiling board where the product is mounted and ceiling shall be over 200 mm.
用於安裝本產品的天花板離房屋頂部的距離在200 mm以上。
3. Install this product over 250 mm apart from walls.
安裝孔至牆壁的距離在250 mm以上。
4. Please reserve a sufficient length of the power cord for easy installation.
電源線請預留足夠的長度，以便於安裝。

2. Preparation before installation 安裝前準備

Install an all-pole switch with the contact separation not less than 3 mm and specifications not lower than 250 V~13 A and a leakage protection switch (with the leakage current lower than 30 mA) between the fixed wiring and the main body of this product.

請於固定佈線與本產品主機間安裝觸點間距不小於3 mm的“電源全極開關”(規格必須不低於250 V~13 A)及漏電保護開關(洩漏電流在30 mA以下)。



HOW TO INSTALL

安裝方法

1. Connecting power cord 電源線的連接

⚠ WARNING 警告

! To avoid electric shock or fire, do not remove the PCB cover.

安裝和使用時禁止拆卸電路板蓋板，否則可能會導致觸電或起火。

! Please select 60227 IEC 53 ordinary polyvinyl chloride sheathed cord. Nominal cross-sectional area of conductors is $3 \times 1.5 \text{ mm}^2$.

電源線請選用60227 IEC 53型絞合軟線，導線的截面積為 $3 \times 1.5 \text{ mm}^2$ 。

! For the stripping length, please prepare according to the wiring sketch (refer to figure 1). If the stripping length is too long, it may cause short circuit.

剝線長度，請按照剝線示意圖(右圖1)進行剝線，如剝線過長，可能會導致產品短路。

! Do not damage the sheath of the power cord, otherwise an electric shock or short circuit may be caused.

電源線的絕緣膠不能破損，否則可能會導致觸電或短路。

! Strand the core wire together after stripping, then insert them into about 8 mm deep position of the terminal block, ensuring that the part is under the spring slice, and no copper core cord is exposed outside. Make sure that the copper core cords are fixed by screws reliably (the recommended screw fixing torque is $0.49 \text{ N}\cdot\text{m}$) (See Figure 2). Otherwise an electric shock may be caused.

先將剝線後分散的銅芯線絞合在一起，然後伸入到端子台約8 mm深，並確保其在彈簧片的下方，切勿出現銅線外露現象。螺釘擰緊後，請確保銅線不易鬆脫(建議螺釘鎖緊扭矩為 $0.49 \text{ N}\cdot\text{m}$)，否則可能會導致觸電。(右圖2)

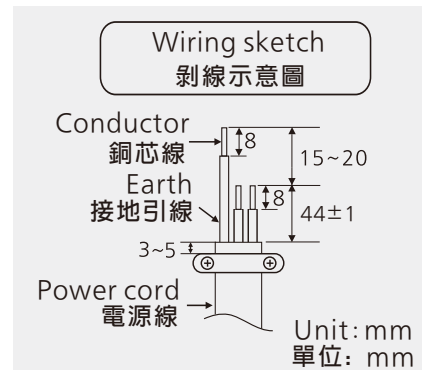


Figure 1
圖1

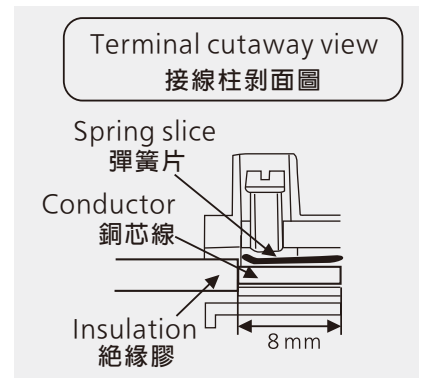
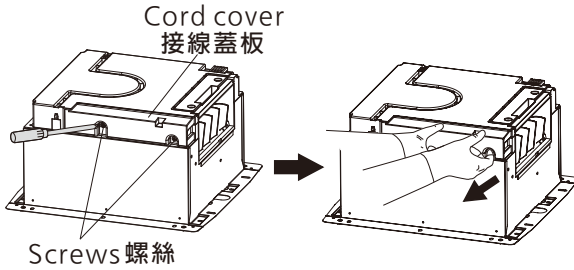


Figure 2
圖2

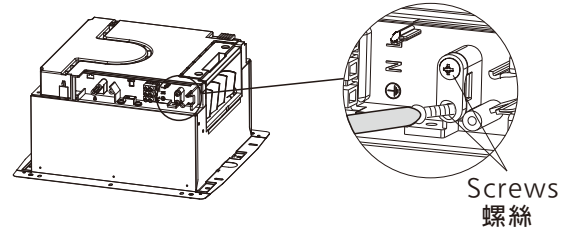
- ① Remove the screws (2 pcs) on the cord cover, then open the cord cover.

取下接線蓋板上的螺絲 (2顆)，打開接線蓋板。



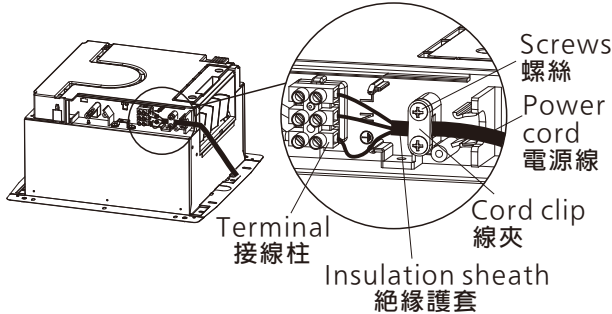
- ② Loosen the screws of the cord clip.

鬆脫固定線夾的螺絲。



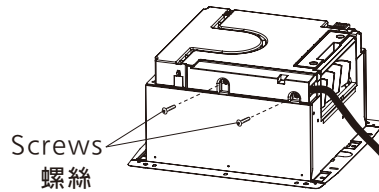
- ③ Loosen the screws of the terminal, insert the indoor power cord (not supplied) into the terminal, then tighten the screws. Fix the power cord with the cord clip. (The cord clip must pin the insulation sheath of power cord.)

鬆開接線柱上的螺絲，將接入室內的電源線 (另購) 插入接線柱，再擰緊接線柱螺絲。用線夾將電源線固定。(線夾必須壓住電源線絕緣護套)



- ④ Fix the cord cover by the screws which removed by step ①.

用步驟 ① 拆下的螺絲，將接線蓋板重新固定。



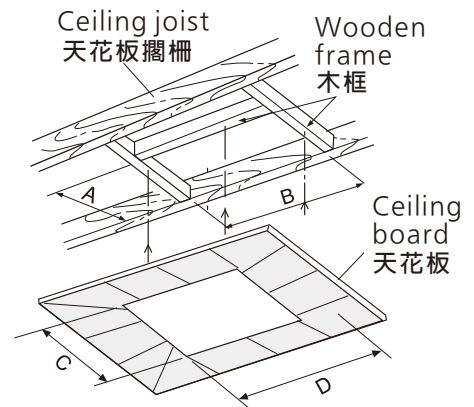
2 Main body installation 機體的安裝

Method 1 ordinary ceiling 方法一 普通天花板

- ① Make a wooden frame and install it onto the ceiling joist. Ensure that the total thickness of the wooden frame and ceiling should be 20 mm~30 mm. Meanwhile, open a mounting hole in the ceiling board with dimensions as shown in the table below: (unit: mm)

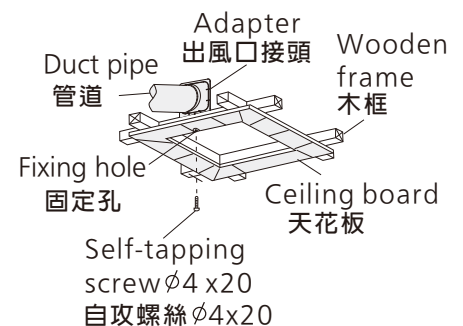
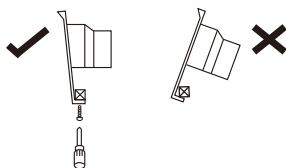
築造木框以及將木框 (注意：木框與天花板的厚度應在 20 mm~30 mm 之間) 安裝到天花板攔柵上，同時在天花板上開安裝孔，具體尺寸如下表：(單位：mm)

A	B	C	D
300	300	300	300



- ② Install the adapter (make the fixing hole in the middle). Use one $\phi 4 \times 20$ self-tapping screw to fix the adapter to the ceiling.

出風口接頭的安裝 (請將固定孔居中安裝) 用 1 顆 $\phi 4 \times 20$ 的自攻螺絲，將出風口接頭固定於天花板上。



- ③ Connecting the duct pipe → Refer to Section 4. Duct Pipe Connection on P. 14.

連接管道。→ 參考第14頁 4. 管道的連接

- ④ Push the main body upward into the ceiling board and wooden frame by closely leaning against the adapter, clip the clipping position of the adapter into the Locating slot of the main body (otherwise, may have air leakage), and fix the main body with four $\phi 4 \times 20$ self-tapping screws.

將機體緊靠出風口接頭往上推入天花板與木框，並使出風口接頭卡位卡入機體固定槽(否則漏風)，用4顆 $\phi 4 \times 20$ 的自攻螺絲將機體牢固地固定。

Notice
提示事項

Please be careful not to pinch the cord, when push upward the main body.

推入機體時，請注意不要夾傷線。

- ⑤ Use one $\phi 4 \times 20$ self-tapping screw to fix the adapter. Be sure to fix this screw because it can prevent the main body from falling off the ceiling board.

用1顆 $\phi 4 \times 20$ 的自攻螺絲將機體牢固地固定，此螺絲能起到防止機體脫落的作用，請務必安裝。

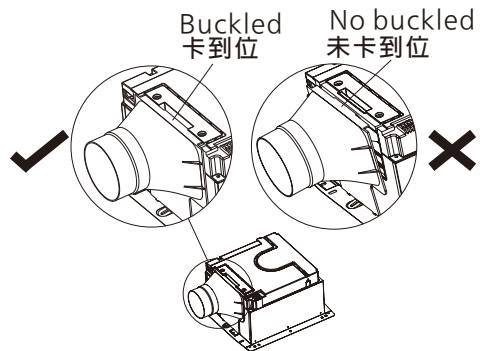
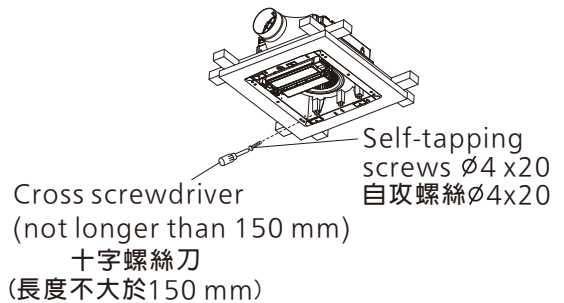
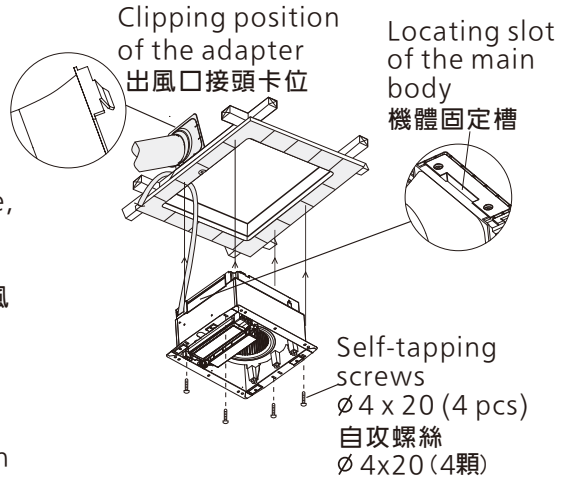
- ⑥ After completion of the installation work, be sure the condition between the main body and the adapter is proper. It can be checked from the inspection hole.

安裝完成後，請務必從點檢口確認機體與出風口接頭的安裝是否到位。

Notice
提示事項

If adapter fails to cling to the main body, it may cause air leakage.

如機體與出風口接頭未貼緊，會導致漏風。



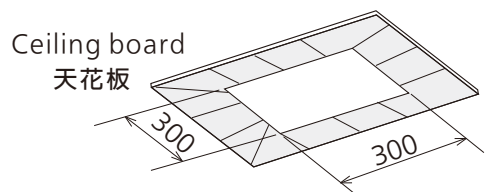
2 Main body installation

機體的安裝

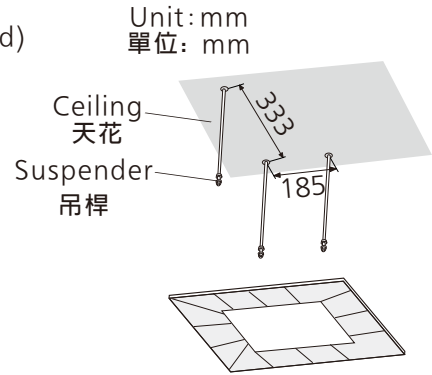
Method 2 Ordinary ceiling mounting 方法二 普通天花板吊裝

- ① Open a 300 mm x 300 mm mounting hole in the ceiling board.
在天花板上開一個300 mm x 300 mm的安裝孔。

Unit: mm
單位: mm



- ② Fix the suspenders (M8 or M10, need to be purchased) on the ceiling according to dimensions on right.
根據右圖尺寸將吊桿(另購M8或M10)安裝於天花。

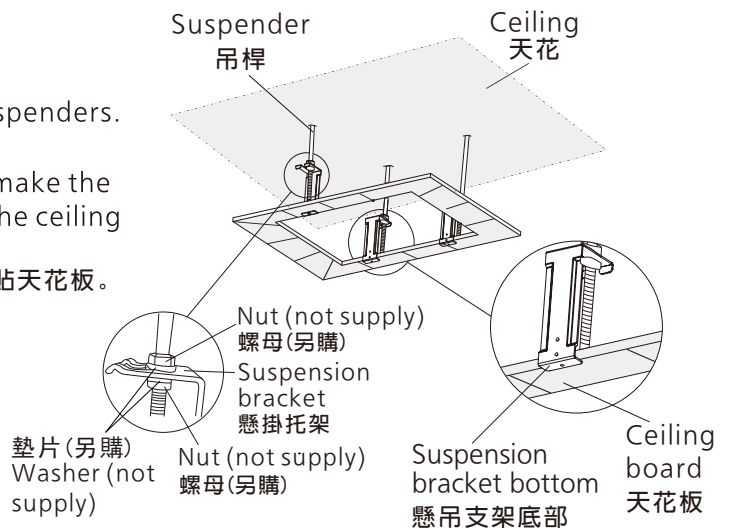


- ③ Install the suspension brackets.
安裝懸吊支架。
- (1) Fix the suspension brackets to the suspenders.
將懸吊支架固定於吊桿。
 - (2) Adjust the nut on the suspenders to make the suspension bracket bottom cling to the ceiling board.
調整吊桿上的螺母，使懸吊支架的底部緊貼天花板。

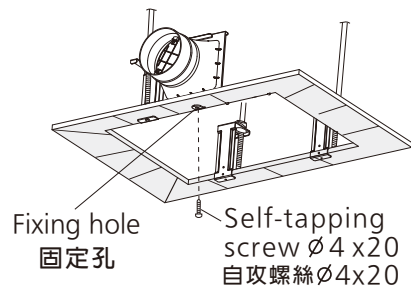
Notice
提示事項

Make sure that the suspension bracket bottom clings to the ceiling board; otherwise the main body cannot be installed successfully.

懸吊支架的底部務必要緊貼天花板，否則可能會導致機體無法安裝。



- ④ Fix the adapter to the ceiling board using one of the supplied $\phi 4 \times 20$ self-tapping screw. (Make the fixing hole in the middle.)
用1顆 $\phi 4 \times 20$ 的自攻螺絲將出風口接頭固定於天花板。(請將固定孔居中安裝)



- ⑤ Connecting the duct pipe **➡** Refer to Section 4. Duct Pipe Connection on P. 14.

連接管道。➡ 參考第14頁 4. 管道的連接

- ⑥ Push the main body upward into the ceiling board and wooden frame by closely leaning against the adapter, clip the clipping position of the main body into the Locating slot of the adapter (otherwise, it may have air leakage), and fix the main body with three $\phi 4 \times 13$ self-tapping screws.

將機體緊靠出風口接頭往上推入天花板與木框，並使機體上卡位卡入出風口接頭槽中(否則漏風)，使用3顆 $\phi 4 \times 13$ 自攻螺絲將機體牢固地固定。

CAUTION 注意

The screws for fixing the main body to the ceiling board should go through the hole of the suspension brackets, otherwise, product may fall down.

固定機體的螺絲，必須通過懸吊支架螺絲孔將機體固定於懸吊支架和天花板，否則產品有掉落的危險。

- ⑦ Use one $\phi 4 \times 20$ self-tapping screw to fix the adapter. Be sure to fix this screw because it can prevent the main body from falling off the ceiling board.

用1顆 $\phi 4 \times 20$ 的自攻螺絲將機體牢固地固定，此螺絲能起到防止機體脫落的作用，請務必安裝。

- ⑧ After completion of the installation work, be sure the condition between the main body and the adapter is proper. It can be checked from the inspection hole.

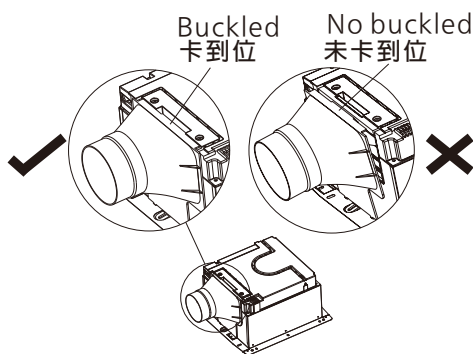
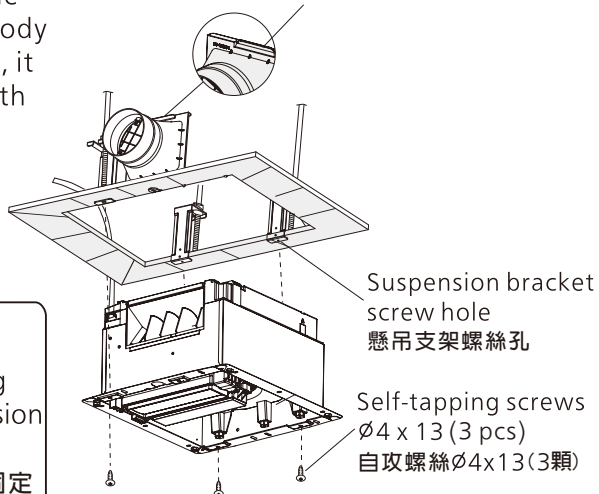
安裝完成後，請務必從點檢口確認機體與出風口接頭的安裝是否到位。

Notice 提示事項

If adapter fails to cling to the main body, it may cause air leakage.

如機體與出風口接頭未貼緊，會導致漏風。

Locating slot of the adapter
出風口接頭定位槽



2 Main body installation

Method 3 Ceiling board has not been installed

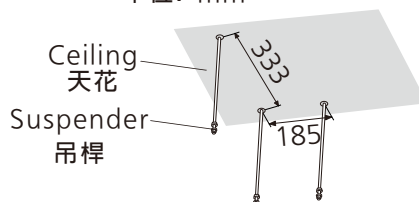
機體的安裝

方法三 未裝天花板吊裝

- ① Fix the suspenders (M8 or M10, need to be purchased) on the ceiling according to dimensions on right.

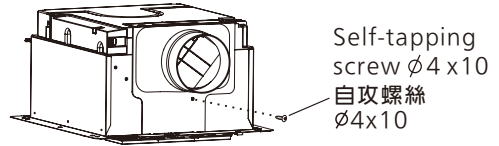
根據右圖尺寸將吊桿(另購M8或M10)安裝於天花。

Unit: mm
單位: mm



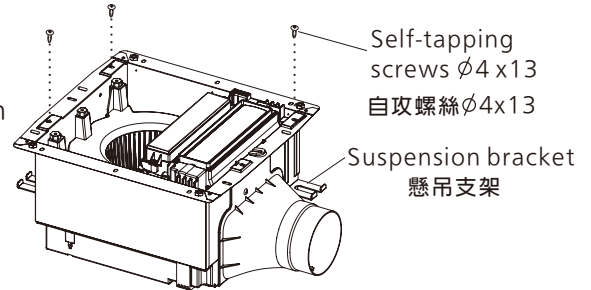
- ② Fix the adapter to the main body with the $\phi 4 \times 10$ self-tapping screw provided in the accessory package.

用1顆 $\phi 4 \times 10$ 的自攻螺絲，將出風口接頭固定於機體。



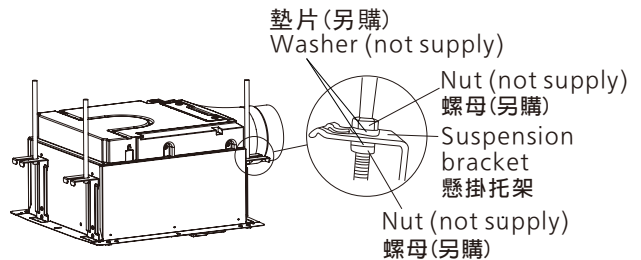
- ③ Remove the installation suspension bracket from the packaging foam, and fix the installation suspension bracket with the $\phi 4 \times 13$ tapping screws that supplied by the accessories.

從包裝泡沫中取出懸吊支架，然後用3顆 $\phi 4 \times 13$ 的自攻螺絲將懸吊支架固定於機體。



- ④ Fix the main body to the suspenders.

將機體固定於吊桿。



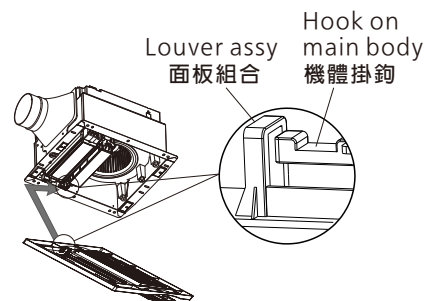
- ⑤ Install the ceiling board

安裝天花板。

3. Installing louver assembly 面板組合安裝

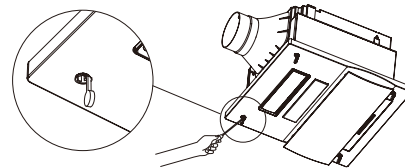
- ① Hang the louver assy into the hook on the main body.

將面板組合掛入機體上的掛鉤。



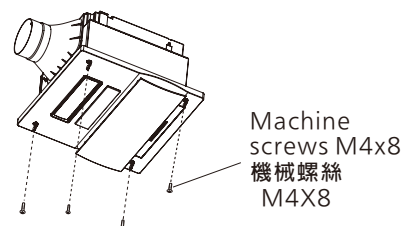
- ② Insert a straight screwdriver into the gap of the screw cap, and unclench the screw cap outward.

用一字螺絲刀插入螺絲蓋的縫隙，往外撬開螺絲蓋。

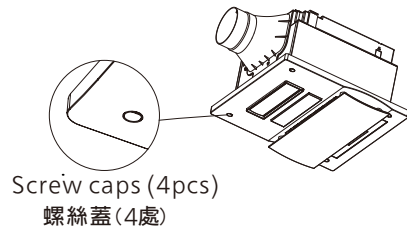


- ③ Fix the louver to the main body with four M4 x 8 machine screws provided in accessory package.

使用4顆M4X8的機械螺絲，將面板組合固定於機體。



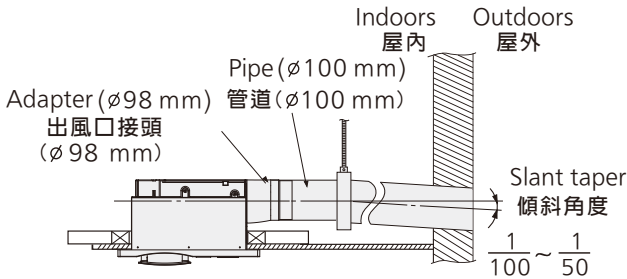
- ④ Attach the unclenched screw caps again.
將撬開的螺絲蓋重新蓋好。
- ⑤ Please remove the protective film on the mode button panel on main body after finishing the installation.
安裝完成後請將模式按鈕面板上的保護膜撕掉。



4. Connecting Duct Pipe 管道的連接

- ① Install the duct pipe onto the adapter, and then bind them tightly with adhesive tape. Suspend the duct pipe from the ceiling to prevent external force exerted on the unit body. The duct pipe connected to outside of the room must be slanted to prevent rain or condensed water from flowing backwards. (This duct pipe should be as short as possible. please connect straight pipe to prolong the duct pipe. Total length of the duct pipe should be shorter than 30 m.)

將管道裝入出風口接頭上，然後用膠帶紮緊。將管道從天花板上懸掛下來，以防止外力施加於機體。通往屋外的管道必須保持傾斜，防止雨水或結露水倒流。（此管道要盡可能短，若需接長管，則最長不要使用超30 m的直管。）



- ② Install the pipe cap or pipe cover on the external wall. (We recommend you purchase products of the following models provided by Panasonic.)

將管罩或管蓋安裝到牆外。
(建議購買本公司如下所示型號的產品)

Name 名稱	Pipe hood 管罩	Vent cap 管蓋
Model 型號	FV-MCX100P	FV-VCX100P

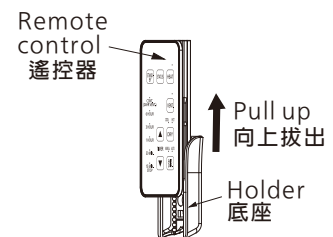


Notice 提示事項

The minimum diameter of the hole: $\phi 110$ mm.
牆壁通風孔最小直徑： $\phi 110$ mm。
(具體開孔要求請參照所選管罩或管蓋的說明書)

5. Installing the remote control 遙控器的安裝

- ① Take out the remote control from the holder.
把遙控器從遙控器底座抽出。

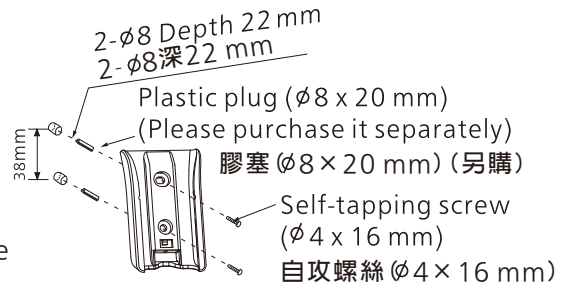


- ②-1 Check the main body can receive the signal from the intended remote control installation location. If remote control can not receive the signal from this installation location, please choose another installation location, or operate the remote control toward product after taking out it from the holder. The installation location cannot be toward the direct spraying area of the shower.

遙控器安裝前，請在預定安裝的位置上檢測機體接收信號的效果，若該位置無法使機體正常接收，請另選擇合適的位置或使用時把遙控器從底座中取出對著機體進行操作。且安裝位置應避免在花灑直淋處。

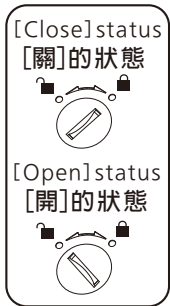
- ②-2 Open two $\phi 8$ holes in the bathroom wall as shown below. And install the controller holder.

在浴室的牆壁上開2顆 $\phi 8$ 的安裝孔，將遙控器底座安裝於牆上。

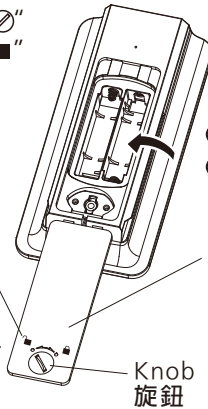


- ③ Install two R03(AAA) manganese batteries in the remote control.

將2粒R03(AAA)碳性電池放入遙控器中。



- (1) Rotate the knob "⊙" leftward to the "☰" position.
將旋鈕 \odot 向左轉至" \equiv "位置



- (3) Install two R03(AAA) manganese batteries in the remote control. (Pay attention to the directions of "+" and "-")

將2粒R03(AAA)碳性電池放入遙控器中。(注意 \oplus , \ominus 方向)

- (4) Replace the battery cover.
重新蓋上電池蓋。

- (5) Rotate the knob "⊙" rightward to the "☷" position.
將旋鈕 \odot 向右轉至" \ominus "位置。

- (2) Open the battery cover.
打開電池蓋。

- ④ Please back the remote control to the holder.

將遙控器放回遙控器底座。



Please observe the following when using the batteries.

電池的使用請遵守以下內容。

- Do not inversely install the positive pole and negative pole of batteries.
勿將電池正負反裝。
- Do not short circuit.
不可短路。
(Otherwise, a leakage or damage may be caused.)
(否則可能會導致漏液或破損)。
- Do not use an old battery together with a new battery or use different types of batteries in a mixed way.
勿將新舊、異種電池混合使用。

Notice
提示事項

- If you will not use the remote control for a period of time, take out the batteries.
長期不使用時，請取出電池。
 - Do not replace the batteries when the remote control body is wet.
更換電池時，請擦乾遙控器機體後進行更換。
 - Do not exert too hard when you rotate the "⊙" knob on the remote control back, otherwise the knob will be damaged.
旋動遙控器背部 \odot 旋鈕時，請勿用力過大，否則可能會損壞該旋鈕。
 - If the battery cover is not tightened, it will affect the sealing effect.
如果電池蓋未蓋緊，會影響密封效果。
- Please comply with local laws and regulations when dispose the battery.
丟棄電池時，請遵循當地法律法規。

After connecting the power, please check the following item using the remote control:

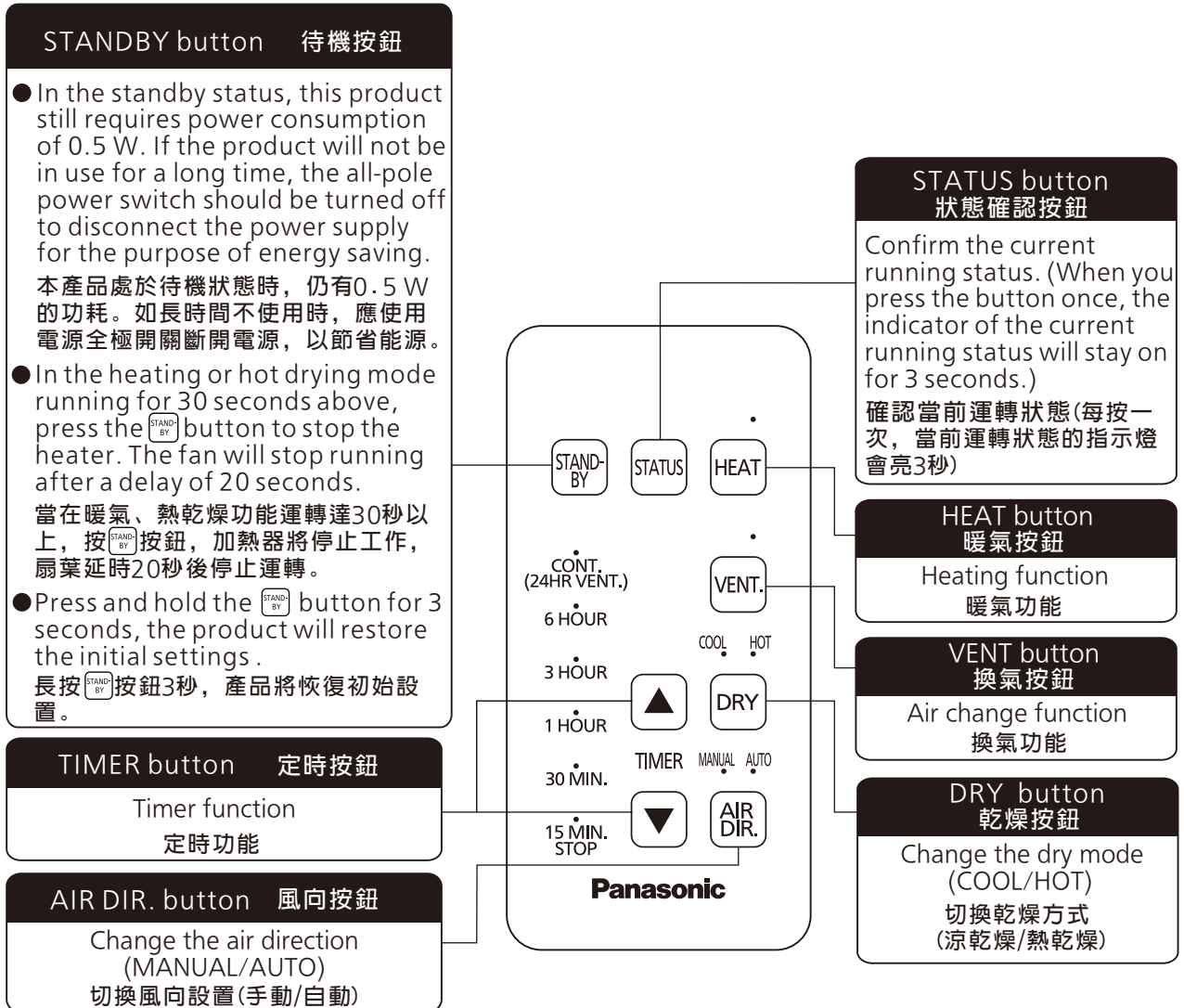
- Does the fan revolve normally?
- Does it have abnormal vibration or noise?
- Does it blow out hot air?
- Is each button on remote control perform its right function?

接通電源，按動遙控器上各個功能按鍵，檢查以下項目：



- 扇葉是否正常旋轉？
- 是否有不正常的震動或者噪音？
- 是否有熱風輸出？
- 遙控器上的各個功能按鈕的功能是否正常？

FUNCTION OF REMOTE CONTROL

遙控器功能介紹

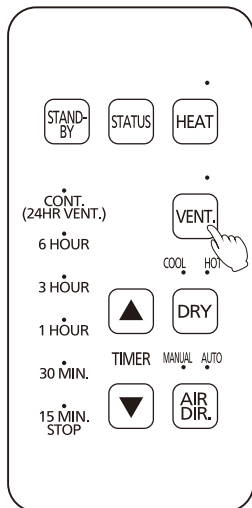


Notice
提示事項











1. When the heating mode or hot drying mode is switched to the air ventilation mode, the fan blade will run at a low speed for 20 seconds to cool the heater down, then enter the air ventilation mode.
從“暖氣”或“熱乾燥”模式切換到換氣時，為使加熱器冷卻，扇葉將以低速運轉20秒後切換到換氣。
2. When you use the mode button on the mode button panel on main body, then press the  button on remote control, the status displayed by the remote control may different from the actual product status.
當操作了機體模式按鈕面板上的模式按鈕後，再按遙控器上的  按鈕，遙控器所顯示的狀態與產品實際狀態可能會不一致。
3. If there is no sound from product after you press the remote control, it means the product does not receive the remote control signal, you need to reoperate.
使用遙控器操作後，產品沒有提示音，則表示產品沒有接收到遙控器的信號，需要重新操作。
4. Please remove the protective film on the remote control before use.
使用前請將遙控器上的保護膜撕掉。

HOW TO USE VENTILATION FUNCTION

換氣功能的使用方法



Used to ventilate the bathroom
浴室換氣時使用

- ① Press the  button to start the air change mode.
按  按鈕，換氣模式開始運轉。
※ The indicators of VENT. and default setting time (15 MIN.) light on, then turn off automatically after 3 seconds.
VENT的指示燈和初始設置時間(15 MIN.)的指示燈亮，3秒鐘後指示燈自動熄滅。
- ② During operation, you can press   to change the running time.
運轉過程中，可通過   按鈕，調整運轉時間。
- ③ To confirm the current running mode and remaining time for reference, press the  button.
如需確認當前運轉模式及參考剩餘時間請按  按鈕。
- ④ This product will stop automatically when the set time is up.
運轉完所設置時間後，本機會自動停止。
- ⑤ To stop midway in operation, press the  button.
如需在運轉途中停止，請按  按鈕。



For running time adjusted
調整運轉時間時使用

During operation, you can press the button to change the running time.

運轉中可通過 調整運轉時間。

- ① Each time you press the button, the time will increase accordingly.

每按一次 按鈕，運轉時間將隨之遞增；

Each time you press the button, the time will increase accordingly.

每按一次 按鈕，運轉時間將隨之遞減；

If you press and hold the button, the running time will keep changing.

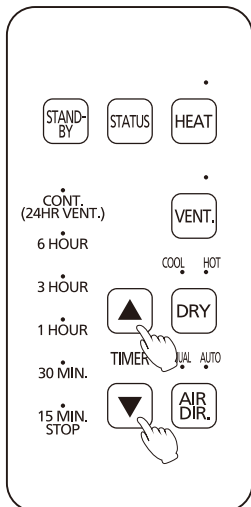
如連續按，運轉時間將連續快速變換。

- ② After the running time is set once, the system will automatically memorize the last running time of each mode.

設置一次運轉時間後，會自動記憶每個模式上一次的運轉時間。

To cancel the automatic memory content, press and hold the button for 3 seconds.

取消記憶時間，請長按 按鈕3秒。



HEAT mode
暖氣模式

15 MIN. ~ 3 HOUR Default settings 出廠設置為 15 MIN.

VENT. mode
換氣模式

15 MIN. ~ 6 HOUR ~ CONT. Default settings 出廠設置為 15 MIN.

DRY HOT mode
熱乾燥模式

15 MIN. ~ 6 HOUR Default settings 出廠設置為 15 MIN.

DRY COOL mode
涼乾燥模式

15 MIN. ~ 6 HOUR ~ CONT. Default settings 出廠設置為 15 MIN.

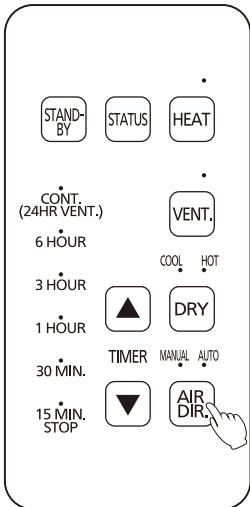
HOW TO USE AIR DIRECTION FUNCTION 風向功能的使用方法



For adjusting air direction
調整風向時使用

During running, you can press the button to adjust the air direction.

運轉中可通過 按鈕，調整風向。



- ① The initial air direction setting of HEAT, DRY HOT and DRY COOL is AUTO mode. You can press the button change the mode between MANUAL and AUTO.

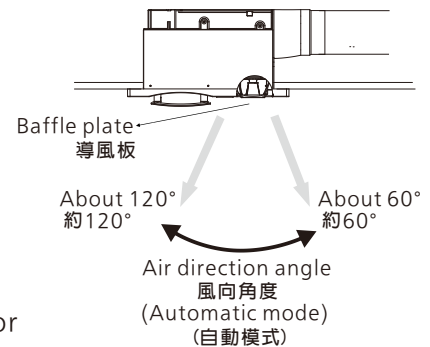
暖氣、熱乾燥、涼乾燥的風向初始設置為自動模式，通過 鍵，可進行手動與自動模式的切換。

* AUTO mode: The baffle plate circularly swings within the range of about 60° to 120°

自動模式：導風板在約60度~120度的範圍內循環擺動。

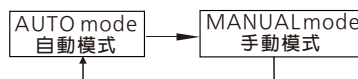
* MANUAL mode: To fix the baffle plate angle, press the button when the baffle plate turns to the required position. The baffle plate will stop, and the MANUAL indicator lights on.

手動模式：需固定導風板角度時，待導風板轉到所需位置，按 按鈕，導風板將停止轉動，手動的指示燈亮起。



- ② The figure below shows switching sequence between the AUTO mode and MANUAL mode:

手動模式與自動模式的轉換如下圖：



- ③ Air direction cannot be set in the ventilation mode.

換氣模式不可進行風向設置。

- ④ Each mode will automatically memorize the air direction position set this time.

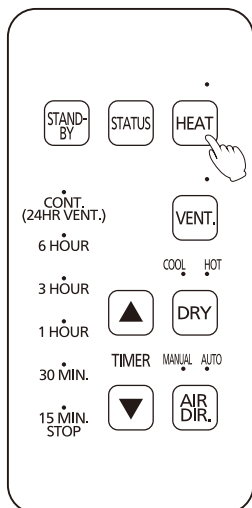
各模式會自動記憶本次所設置的風向模式。

To cancel the automatic memory content, press and hold the button for 3 seconds.

取消自動記憶內容，請長按 按鈕3秒。



Use when you feel cold in a bath
在浴室中感到冷時使用



Before taking a bath, start the heating function to warm the bathroom beforehand.

在沐浴前開暖氣功能，可提前將浴室升溫。

① Press the button to start the heating mode.

按 按鈕，暖氣模式開始運轉。

※ The indicators of HEAT and default setting time (15 MIN.) light on, then turn off automatically after 3 seconds.

HEAT的指示燈和初始設置時間(15 MIN.)的指示燈亮，3秒鐘後指示燈自動熄滅。

② During running, you can press to change the running time.

運轉過程中，可通過 按鈕，調整運轉時間。

③ During operation, you can press the button to change the air direction.

運轉過程中，可通過 按鈕，調整風向。

④ To confirm the current running mode and remaining time for reference, press the button.

如需確認當前運轉模式及參考剩餘時間請按 按鈕。

⑤ This product will stop automatically when the set time is up.
運轉完所設置時間後，本機會自動停止。

⑥ To stop midway in running, press the button.

如需在運轉途中停止，請按 按鈕。

※ In the heating mode running for 30 seconds above, press the button to stop the heater. The fan will stop running after a delay of 20 seconds.

若在暖氣模式運轉30秒以上，按 按鈕後，為使加熱器冷卻，扇葉將延遲20秒停止運轉。

Notice 提示事項

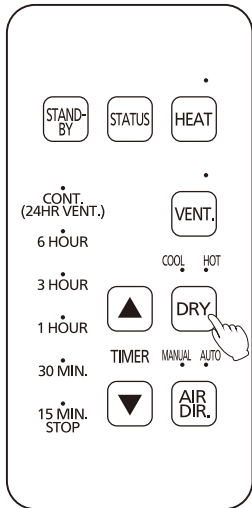
1. Hot startup function: After the product starts up in the heating mode when the temperature in the bathroom is lower than 20 °C, it enters the hot startup status to avoid blowing of cold air, and the fan runs at a low speed. When the temperature in the bathroom reaches 20 °C or above or after running for 60 seconds, the hot startup status stops and the fan runs at a high speed.

熱啟動功能：當浴室溫度低於20 °C時，以暖氣模式啟動後，為避免冷風吹出，產品進入熱啟動狀態，扇葉以低速運轉，待浴室溫度達至20 °C以上或經過60秒後，熱啟動狀態停止，扇葉以高速運轉。

2. Heater may stop heating when temperature in bathroom is up to required degree, and may restart heating as the temperature in bathroom cools down.

當浴室內溫度上升到一定程度時，加熱器停止工作，待溫度下降到一定程度後，加熱器重新開始工作。

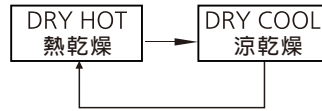
DRY Use when you need to dry the bathroom or clothes
乾燥浴室或乾衣物時使用



- ① Press the **DRY** button to start the DRY HOT mode. It will switch to the DRY COOL mode if you press this button again.

按 **DRY** 按鈕，熱乾燥模式開始運轉，再按一次將切換為涼乾燥模式。

(Initial settings)
(初始設置)



- ※ The indicators of COOL or HOT and default setting time (15 MIN.) light on, then turn off automatically after 3 seconds.

COOL或HOT的指示燈和初始設置時間(15 MIN.)的指示燈亮，3秒鐘後指示燈自動熄滅。

- ② During running, you can press ▲ ▼ to change the running time.

運轉過程中，可通過▲▼按鈕，調整運轉時間。

- ③ To confirm the current running mode and remaining time for reference, press the **STATUS** button.

如需確認當前運轉模式及參考剩餘時間請按 **STATUS** 按鈕。

- ④ This product will stop automatically when the set time is up.

運轉完所設置時間後，本機會自動停止。

- ⑤ To stop midway in running, press the **STANDBY** button.

如需在運轉途中停止，請按 **STANDBY** 按鈕。

- ※ In the DRY HOT mode running for 30 seconds above, press the **STANDBY** button to stop the heater. The fan will stop running after a delay of 20 seconds.

若在熱乾燥模式運轉30秒以上，按 **STANDBY** 按鈕後，為使加熱器冷卻，扇葉將延時20秒停止運轉。

To use the drying function to dry clothes, please to install the product as shown below:

使用乾燥功能進行衣物烘乾時，建議按照下圖進行安裝：



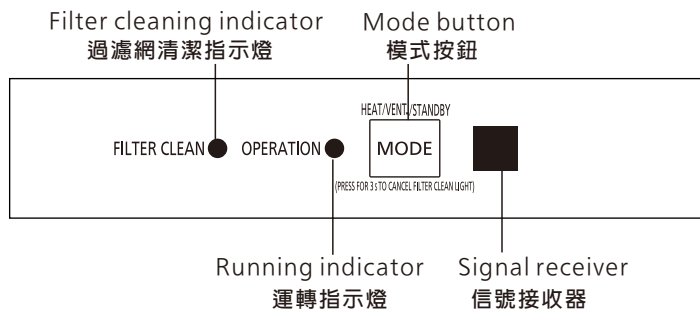
Unit: mm
單位: mm

Clothes hanging pipe(Need to be purchased)
掛衣用管(另購)

To make the effect of drying clothes better, please set a ventilation shutter at the lower part of the door with a valid opening area of 100 cm² or above.

為使乾衣效果更好，建議在門下部設置有效開口面積應在100 cm²以上的換氣用百葉窗。

When the remote control is lost or does not work, you can use the MODE button panel on the front surface of the main body to operate the product. (Each time can be operated for 15 mins)
 當遙控器丟失或者無法正常使用時，可臨時通過機體面板正面的模式按鈕進行操作。(每次可運轉15分鐘)



WARNING
警告

⚠

Do not press the MODE button during a bath or shower in the bathroom. Otherwise, you may slip.
 為避免意外滑倒，當在浴室沐浴時，請不要操作模式按鈕。

1. The MODE button can be used to switch among the following functions:

模式按鈕可進行下記功能的切換：



2. Conditions of the filter cleaning indicator and running indicator.

過濾網清潔指示燈及運轉指示燈的變化。

Run Status 運轉狀態	Filter cleaning indicator 過濾網清潔指示燈	Running indicator 運轉指示燈
Stop 停止	Off 滅	Off 滅
Normal running 正常運轉	Off 滅	On 亮
Abnormal running 運轉異常	Off 滅	Blinking fast*1 快速閃爍
Normal running 正常運轉 + Filter cleaning indication 過濾網清潔提示	Blinking fast 快速閃爍	On 亮
During the hot startup 熱啟動功能時	Off 滅	Blinking slow*2 慢速閃爍

When the running indicator blinks quickly, Please disconnect the power supply, and contact Panasonic customer consultation service center or your distributor.

運轉指示燈快速閃爍時，請斷開電源，且與Panasonic客戶諮詢服務中心或經銷商聯繫。

※1 Blinking fast: On for 0.5 seconds and off for 0.5 seconds

快速閃爍：0.5秒亮、0.5秒滅。

※2 Blinking slow: On for 1 second and off for 1 second

慢速閃爍：1秒亮、1秒滅。



WARNING
警告

- Do not disassemble this product for repair or reconstruction.

禁止拆解本產品進行修理或改造。



Doing this may lead to fire and electric shock.

容易導致火災、觸電。

- To avoid low-temperature scalding, do not directly blow the same part of the body with hot wind for a long time (2 hours or above).

請勿長時間(2小時或以上)讓熱風直接吹在身體同一位置。



Doing this may lead to low-temperature scald.

可能會導致低溫燙傷。

- Do not directly spray this product with water and other liquids.

禁止用水及其他液體直接噴射本產品。



Doing this may lead to short circuit or electric shock.

可能會導致短路或觸電。

- Please observe the following when using the batteries.

電池的使用請遵守以下內容。

- Do not inversely install the positive pole and negative pole of batteries. 勿將電池正負反裝。
- Do not use an old battery together with a new battery or use different types of batteries in a mixed way. 勿將新舊、異種電池混合使用。
- Do not short circuit. 不可短路。



Otherwise, a leakage or damage may be caused.

(否則可能會導致漏液或破損)。

- Once flammable gas leaks, do not start any function of this product.

當發生煤氣洩漏時，禁止開啟本產品的任何功能。



Doing this may generate spark and thus lead to explosion.

可能會產生火花而引起爆炸。

- Do not clean the heating part or let water flow into the electric motor or electrical parts.

禁止清潔加熱部件，且切勿讓水進入電動機及電器部件內。



Otherwise, may lead to electric shock.

否則可能會觸電。

- Do not put battery into fire or heat, break, modify it.

禁止將電池投入火中及加熱、分解、改造。



If the insulation or exhaust value is damaged, the battery may become hot, crack.

如損傷了絕緣物或排氣閥等，可能會導致電池漏液、發熱、破裂。

- Do not use battery of broken casing.

禁止使用外皮剝落的電池。



If the insulation or exhaust value is damaged, the battery may become hot, crack.

如損傷了絕緣物或排氣閥等，可能會導致電池漏液、發熱、破裂。

- If the alkaline liquid of battery enter eyes, clean the eyes with lots of water and seek medical help immediately, but not rub eyes with hands.

電池的鹼性液體不慎進入眼內時，切勿用手揉擦眼睛，迅速使用大量清水充分洗淨和醫治。



Otherwise, it may cause blindness, etc.

否則可能會導致失明等。

 **WARNING**
警告

- Do not put the battery in reach of children and infants.
禁止將電池放置在嬰幼兒可觸及到的地方。

 If the battery is swallowed, seek medical help immediately.
萬一錯誤吞食，請從速求診。


- If the product will not be in use for a long time, please use the "all-pole power switch" to disconnect the power supply.
不使用產品時，請斷開“電源全極開關”。

 Otherwise, may lead to electric shock.
否則可能會觸電。

- If you will not use this product any more, remove the product.
如以後不打算再使用本產品時，不得放置不管，而應予以拆除。


 This product may cause injuries once it falls off.
萬一掉落，可能會導致受傷。

- Please promptly take out of the exhausted battery from the remote control.
用完的電池，請及時從遙控器中取出。

 Otherwise, battery may leakage or rupture.
如放置不管，有可能會導致電池漏液或發熱、破裂。

- Before touching the main body of this product or cleaning this product, make sure that the "all-pole switch" connected to this product is disconnected.

在接觸本產品機體前和清潔本產品時，必須確保連接本產品的“電源全極開關”處於斷開狀態。

 Otherwise, may lead to electric shock.
否則可能會觸電。

 **CAUTION**
注意

- When you clean this product, please wear gloves.
清潔時請帶上手套。

 Otherwise, may lead to injury.
否則可能會導致受傷。

Notice
提示事項

1. Do not swing the baffle plate, otherwise the baffle plate may operate in inaccurate angles.
請勿用手調整導風板，否則可能會導致導風板無法按正確角度運轉。
2. The bathroom size may affect the heating performance of this product.
浴室大小的不同會影響本產品的暖房效果。
3. The applicable ambient temperature of this product is in the range of -10 °C~40 °C, using it out of this range may cause a fault.
本產品適用環境溫度-10 °C~40 °C，否則可能會引起故障。

Cleaning Precautions 清潔注意事項

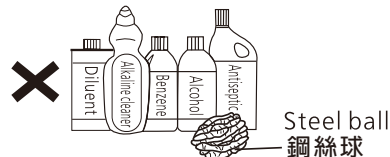
Cleaning the louver: 面板組合的清潔:

1. To prevent color change and accelerated aging of the panel, do not use any type of diluent, alkaline cleaner, benzene, alcohol, antiseptic, or steel ball as shown below.

為避免導致面板變色及加速面板老化，請勿使用類似於圖示的各種稀釋劑、鹼性清潔劑、苯、酒精、殺菌劑或鋼絲球等。

2. To use a chemical cloth, clean this product by following the instructions.

如使用化學抹布，請遵照其使用指示來清潔本產品。



Cleaning the filter: 過濾網的清潔:

1. Do not wash the filter with water, because water may destroy the anti-microbial performance of the filter; do not use a wire brush or any other hard tool to clean the filter, lest the filter would be damaged.

不可用水洗，因為水會破壞過濾網的抗菌性能；不可用鋼絲刷或其他硬質的工具來清潔以免損壞過濾網。

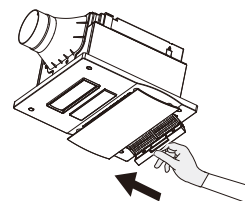
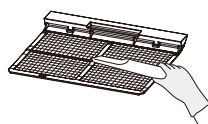
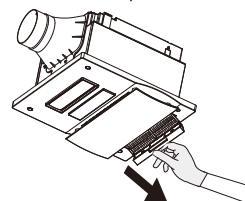
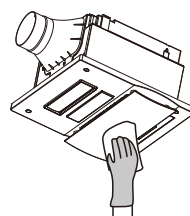
2. When the filter cleaning indicator at the receiving part of the main body blinks, it is time to clean the filter. You need to clean the filter. (When the accumulated running duration reaches 2,200 hours (continuous running about three months), the filter cleaning indicator will blink.)

當機體接收部的過濾網清潔指示燈閃爍時，表示已達到清潔過濾網的時間，請清潔過濾網。（當運轉時間累計達到2200小時（約連續運轉3個月），清潔指示燈就會閃爍。）

Cleaning the louver assembly and filter

清潔面板組合和過濾網

- ① Shut off the all-pole switch.
斷開“電源全極開關”。
- ② Wipe the front panel with a soft cloth.
用軟布擦拭前面板及面板底座。
- ③ Remove the filter from the louver assembly.
將過濾網從面板組合中取出。
- ④ Use a vacuum cleaner to remove dust from the filter.
用吸塵機清除過濾網上的灰塵。
- ⑤ Reinstall the filter assembly.
重新安裝過濾網組合。
- ⑥ Turn on the all-pole switch.
開啟“電源全極開關”。



⑦ Clear the filter cleaning indication at the receiving part of the main body.

取消機體接收部過濾網清潔提示。

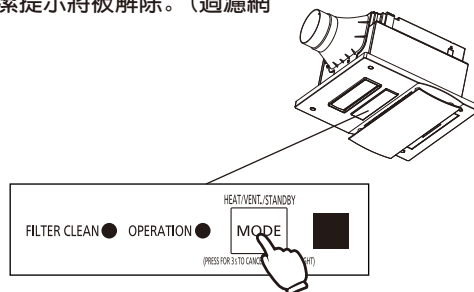
Each time cleaning the filter, you are advised to reset the accumulated time of the filter cleaning indication. (Press and hold the MODE button for 3 seconds. A “beep” sound means the resetting is done.)

長按機體接收部模式按鈕3秒，聽到“嗶”的一聲，過濾網清潔提示將被解除。(過濾網清潔指示的累計時間將重新累計。)

Press and hold the MODE button at the receiving part of the unit body for 3 seconds.

A “beep” means the filter cleaning indication is cleared. (The accumulated time of the filter cleaning indication will be reset, and the time will be accumulated again.)

每次清潔過濾網後，建議將過濾網清潔提示的累計時間復位。(長按模式按鈕3秒，聽到“嗶”的一聲，復位完成。)



ANTIBACTERIAL FUNCTION

抗菌功能

- ※ The filter mesh in the filter mesh assembly provides the antibacterial function, with the antibacterial ratio against staphylococcus aureus and the antibacterial ratio against colibacillus up to 99.9 % respectively (test basis: JIS Z2801:2000).
- ※ After using for a period of time, the colour of the filter mesh will change from yellow to brown, but the changing material colour will not affect performance.
- ※ As the use time increases, the antibacterial performance of the filter mesh will decrease accordingly.
- ※ 過濾網組合中的過濾網具有抗菌功能，其對金黃色葡萄球菌抗菌率達到99.9%，大腸桿菌抗菌率達到99.9%。(檢測依據：JIS Z 2801: 2010)。
- ※ 使用一段時間後，過濾網的顏色會從黃色變成茶色，這種材質顏色的變化並不影響性能。
- ※ 隨著使用時間的增加，過濾網的抗菌性能會相應減弱。

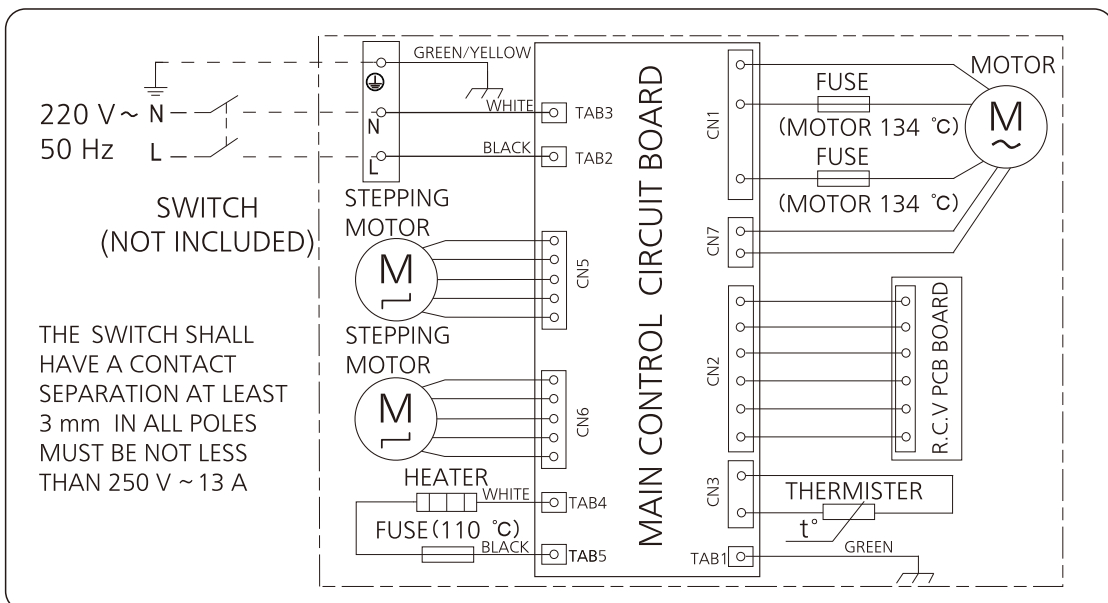
Check the product according to the table below if a fault occurs. If an error still occurs, check that the all-pole switch connected to this product is disconnected, and contact Panasonic customer consultation service center or your distributor.

發生故障時請按下表進行檢查，如果問題仍然未能解決，請確保連接本產品的“電源全極開關”處於斷開狀態，且與Panasonic客戶諮詢服務中心或經銷商聯繫。

	Symptom 癥狀	Cause 原因	Troubleshooting 處理
Air 風	No hot wind blow out 無熱風吹出	The heater may fail 有可能是加熱器不良	Contact Panasonic customer consultation service center or your distributor 請與Panasonic客戶諮詢服務中心或經銷商聯繫
	Air volume reduced 風量變小	The filter may be blocked 有可能是過濾網堵塞	Clean the filter 請清潔過濾網
Remote control 遙控器	Remote control does not work 遙控器無法操作	The batteries may be exhausted 有可能是電池電量消耗完	Replace the batteries 請更換新電池
		The signal receiver may be obstructed or dirty. 有可能是信號接收器有障礙物遮擋或髒污	Please remove the obstacle or clean the signal receiver 請移開障礙物或清潔信號接收器
Mode button panel on main body 機體模式面板	The filter cleaning indicator blinks quickly 過濾網清潔指示燈快速閃爍	It's time to clean the filter 到達需清潔過濾網時間	Clean the filter 請清潔過濾網
	The running indicator blinks quickly 運轉指示燈快速閃爍	The product is error 產品運轉異常	Contact Panasonic customer consultation service center or your distributor 請與Panasonic客戶諮詢服務中心或經銷商聯繫

WIRING DIAGRAM

電氣原理圖



Model No. 型號	Rated voltage 額定電壓 [V]	Rated frequency 額定頻率 [Hz]	Power consumption 額定輸入總功率 [W]	Rated current 額定電流 [A]	Air volume 換氣風量 [m ³ /h]	Weight 淨重 [kg]
FV-30BG3H	220	50	1650	7.5	170	5.0

Power Consumption 功率 [W]				Noise 噪音 [dB]			
Heat 暖氣	Dry 乾燥		Vent 換氣	Heat 暖氣	Dry 乾燥		Vent 換氣
	Hot 熱	Cool 涼			Hot 熱	Cool 涼	
1650	1550	32	28	46	46	46	39

- Power consumption and rated current are obtained when the product is under 90°. 額定輸入總功率、額定電流值在導風板處於90°狀態下測得。
- Air volume, electric specification and noise value are measured when static pressure is 0 Pa. 換氣風量、電氣特性、噪音值等數據是在靜壓為0 Pa狀態下的數值。
- Noise value is the weighted sound pressure grade A, which is the central value measured by this company, its tolerance range is from +3 dB to -7 dB. The method to measure is as follows: in an anechoic chamber, measure noise value first 1 m away from the left, right and beneath of the sample, then get the averaged value.
噪音值為A計權平均聲壓級，是本公司測試結果的中心值，有+3 dB，-7 dB的公差範圍。測試方法為在全消音噪聲測試室內，距樣品左側、右側、下方各1米處測定其噪音值，然後取其平均值。
- Air volume is the central value measured by this company with $\pm 10\%$ of tolerance range. 換氣風量是本公司測試結果的中心值，有 $\pm 10\%$ 的公差範圍。
- This product comply with the IPX2 requirement against the water drop test and its remote control comply with the IPX4 requirement against the water shower test.
本產品機體通過防水試驗，符合IPX2要求，遙控器通過防濺水試驗，符合IPX4要求。
- Insulation class E
E級絕緣

The above specification may be changed without further notice.
上述參數如有變動，恕不另行通知。