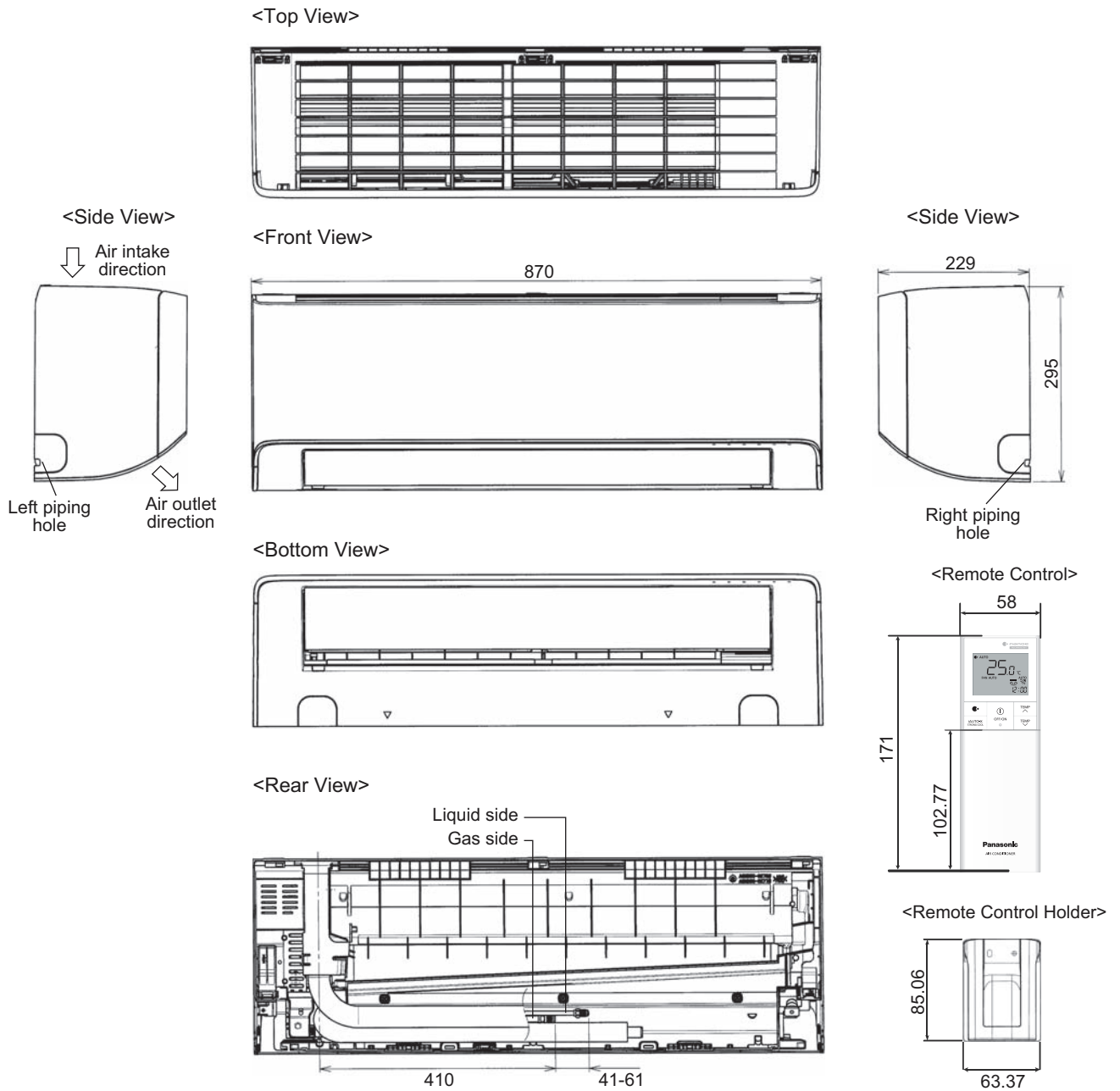


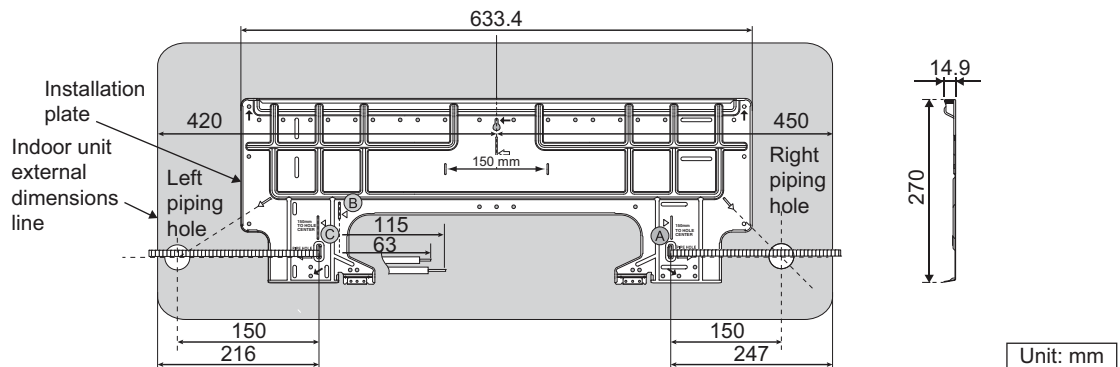
5. Dimensions

5.1 Indoor Unit

5.1.1 CS-Z9ZKA CS-Z12ZKA

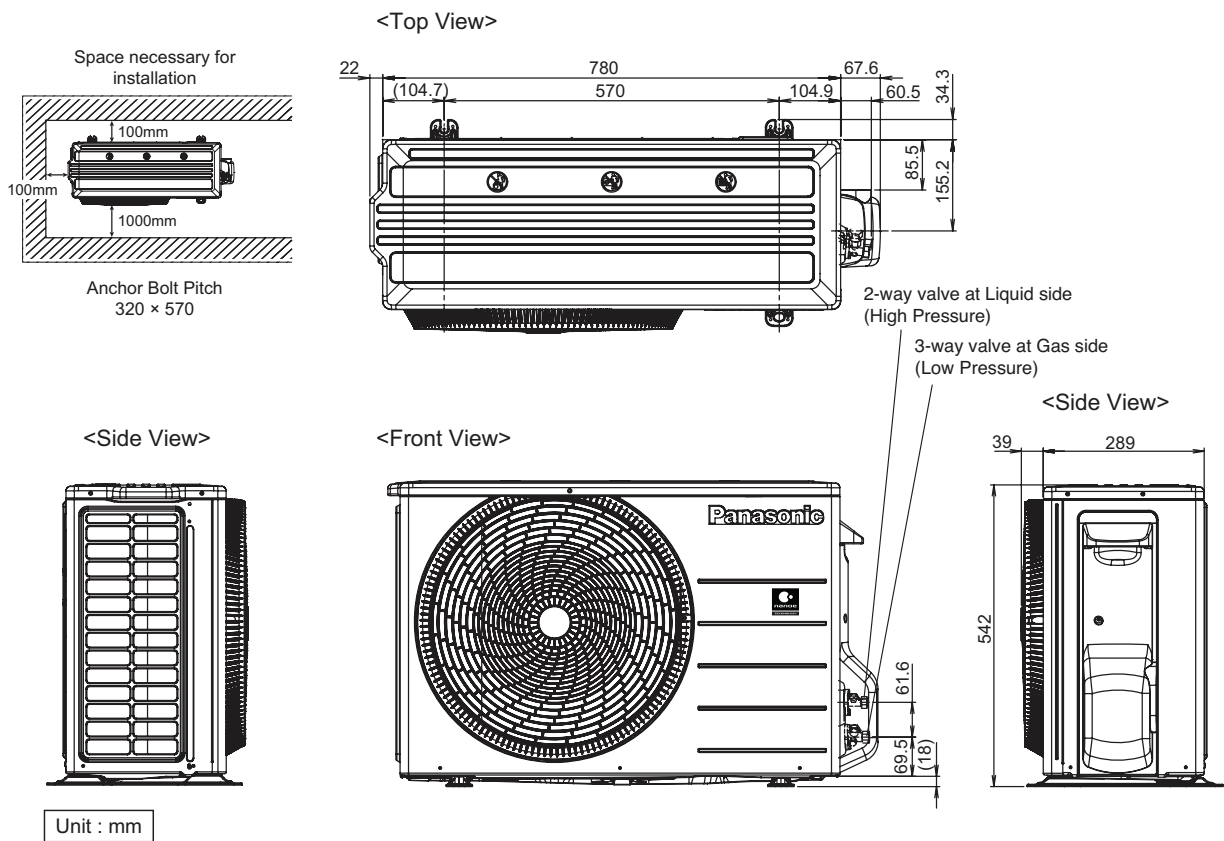


Relative position between the indoor unit and the installation plate <Front View>



5.2 Outdoor Unit

5.2.1 CU-Z9ZKA CU-Z12ZKA



5.2.2 CU-Z18ZKA

