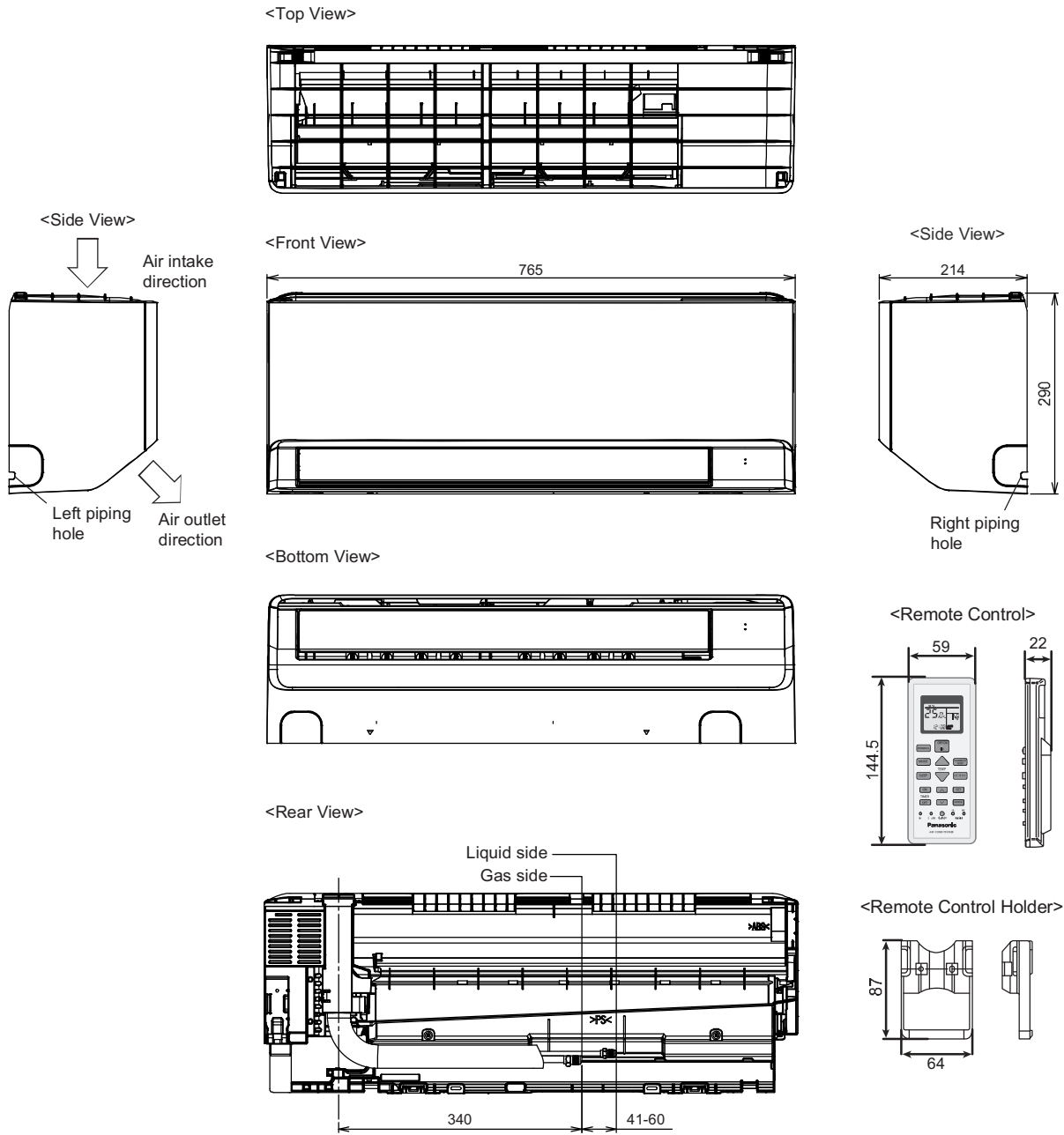


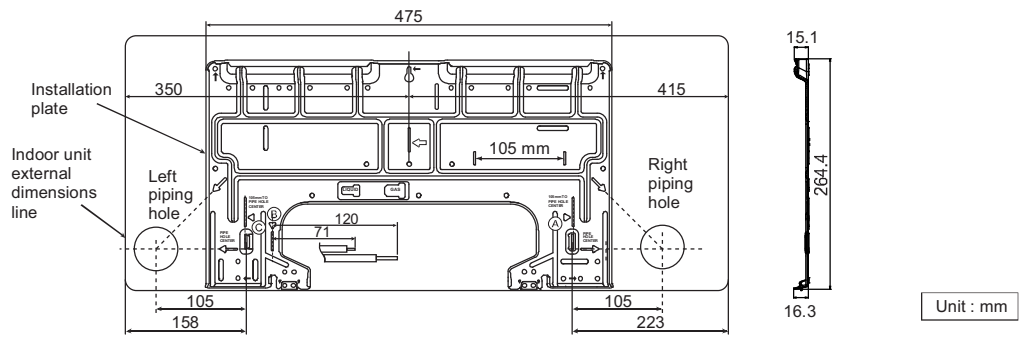
5. Dimensions

5.1 Indoor Unit

5.1.1 CS-YU9BKA CS-YU12BKA

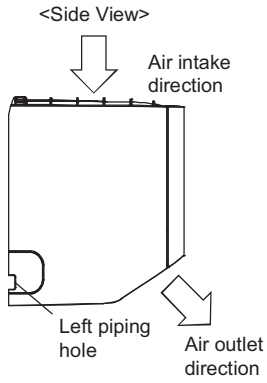
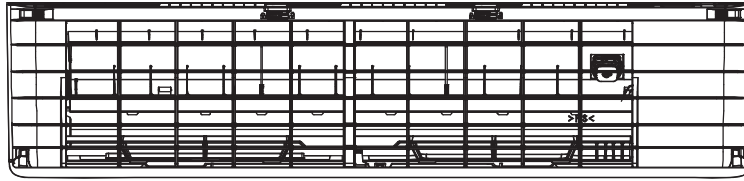


Relative position between the indoor and the installation plate <Front View>

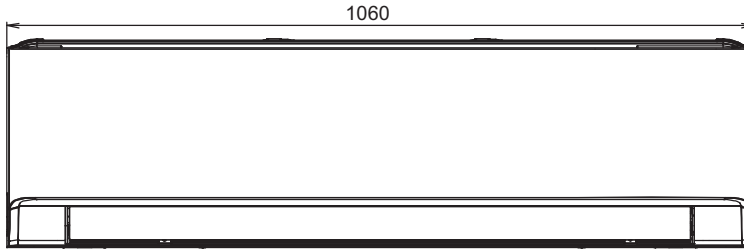


5.1.2 CS-YU18BKA CS-YU24BKA

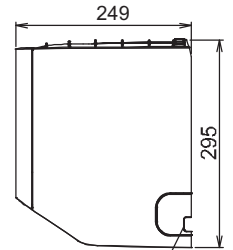
<Top View>



<Front View>

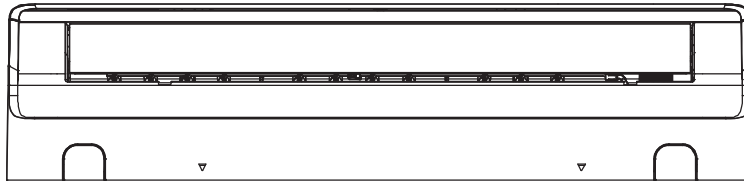


<Side View>

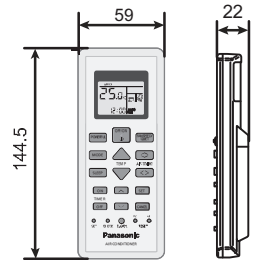


Right piping hole

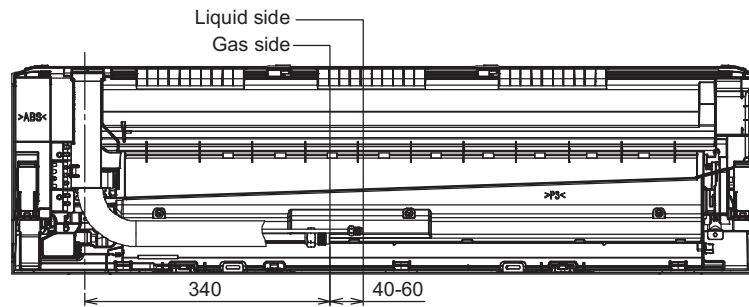
<Bottom View>



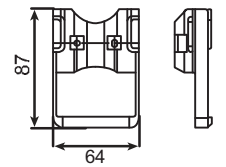
<Remote Control>



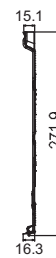
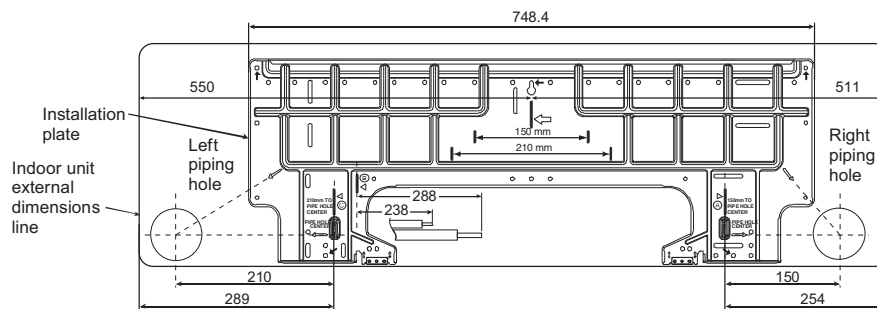
<Rear View>



<Remote Control Holder>



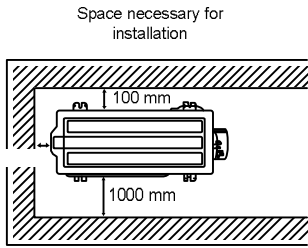
Relative position between the indoor and the installation plate <Front View>



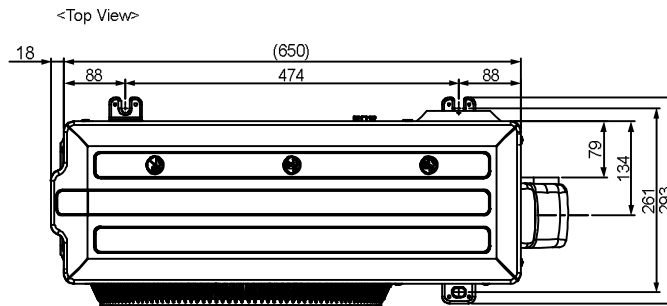
Unit :mm

5.2 Outdoor Unit

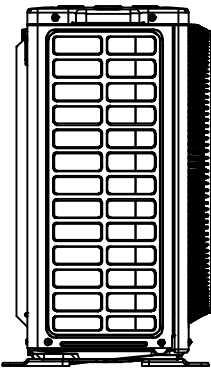
5.2.1 CU-YU9BKA



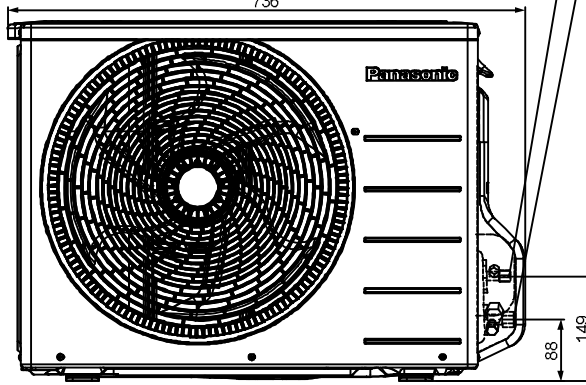
Anchor Bolt Pitch
261 x 474



<Side View>

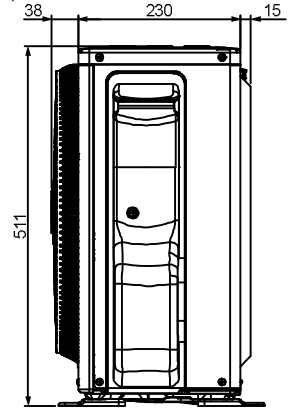


<Front View>



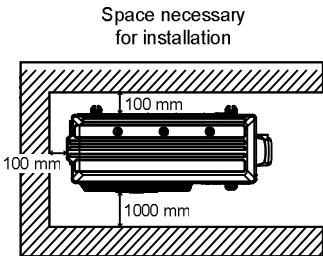
2-way valve at Liquid side
(High Pressure)
3-way valve at Gas side
(Low Pressure)

<Side View>

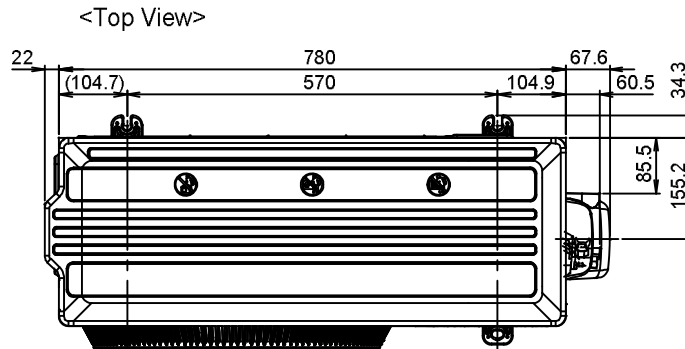


Unit: mm

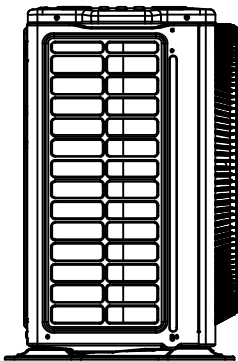
5.2.2 CU-YU12BKA



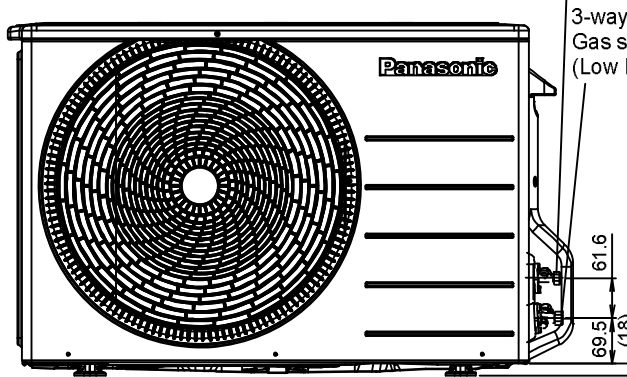
Anchor Bolt Pitch
320 x 570



<Side View>



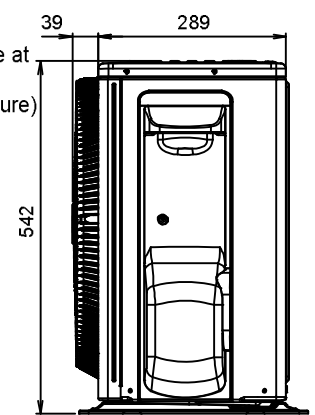
<Front View>



2-way valve at
Liquid side
(High Pressure)

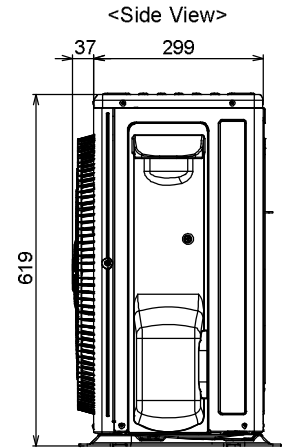
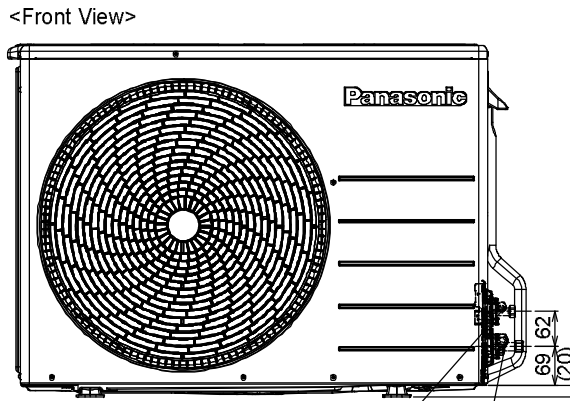
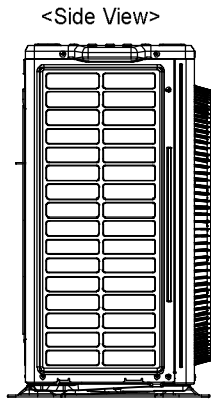
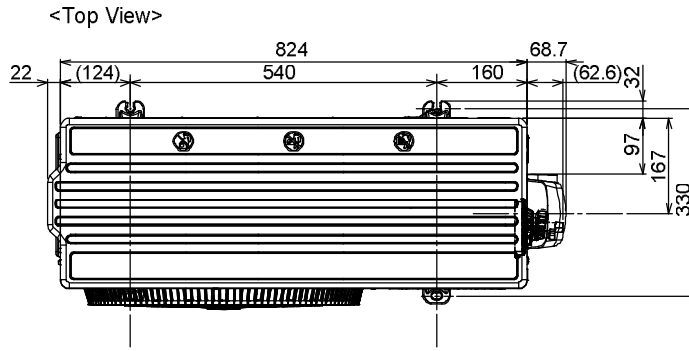
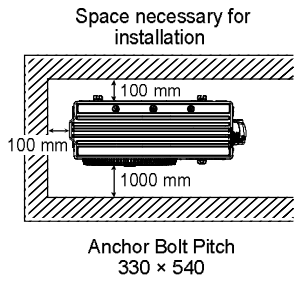
3-way valve at
Gas side
(Low Pressure)

<Side View>



Unit: mm

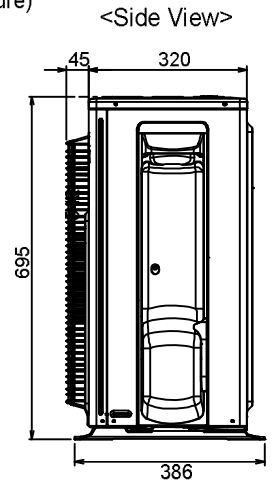
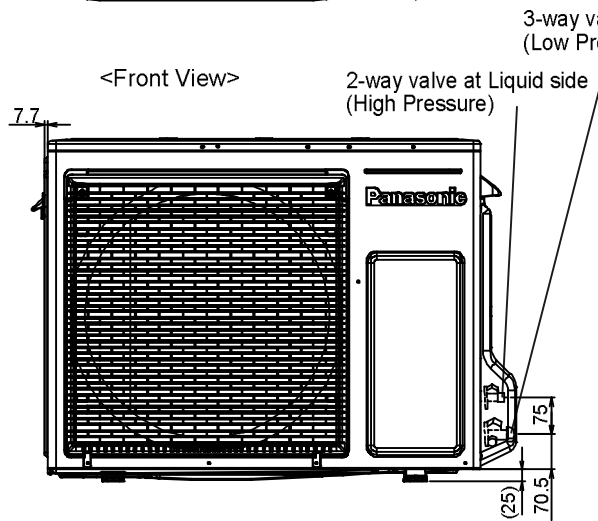
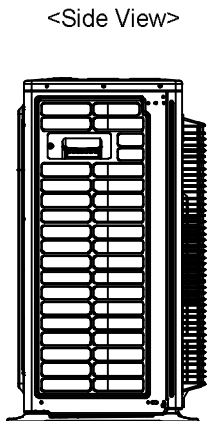
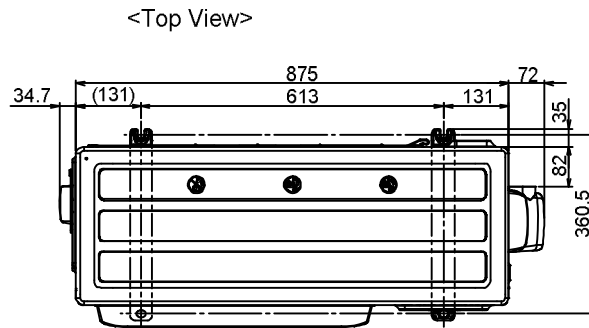
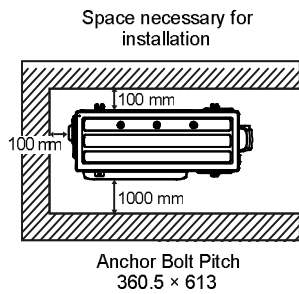
5.2.3 CU-YU18BKA



Unit : mm

3-way valve at Gas side
(Low Pressure)
2-way valve at Liquid side
(High Pressure)

5.2.4 CU-YU24BKA



Unit: mm