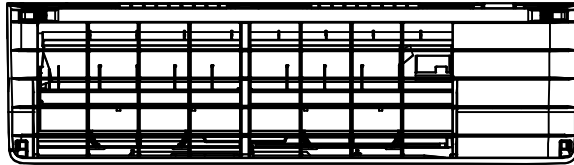


# 5. Dimensions

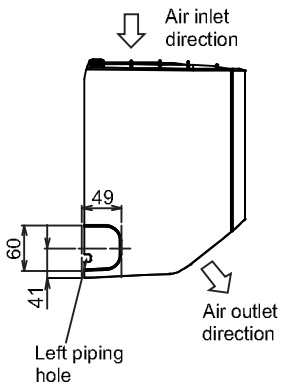
## 5.1 Indoor Unit

### 5.1.1 CS-RU9BKA CS-RU12BKA

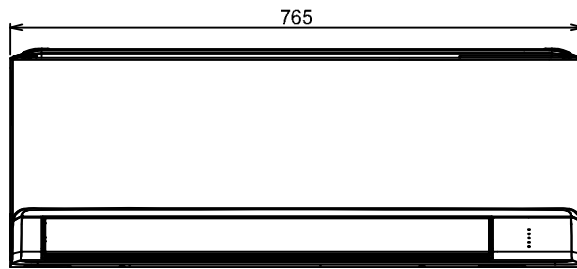
<Top View>



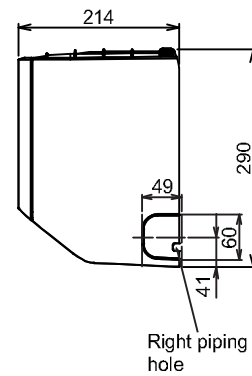
<Side View>



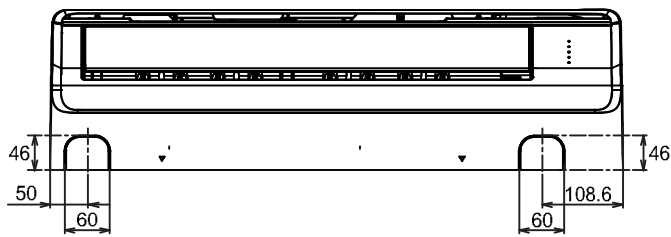
<Front View>



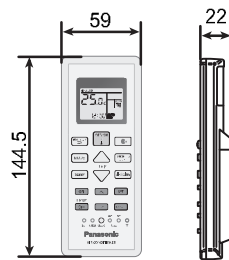
<Side View>



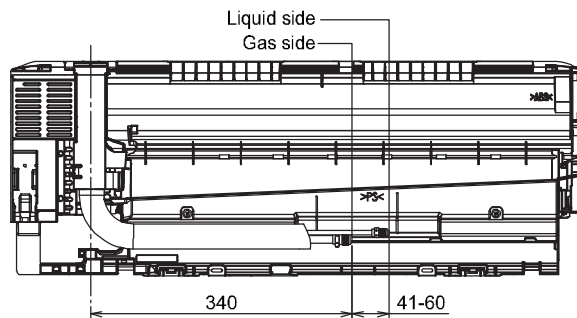
<Bottom View>



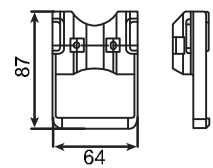
<Remote Control>



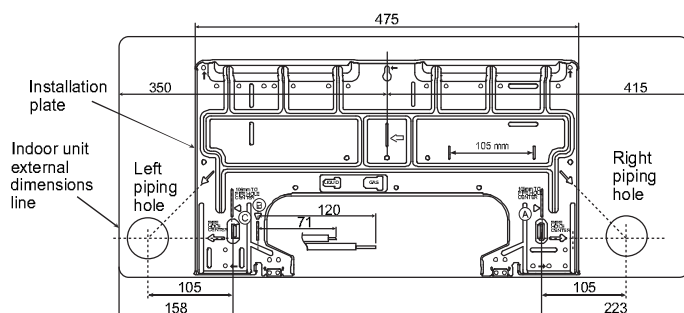
<Rear View>



<Remote Control Holder>



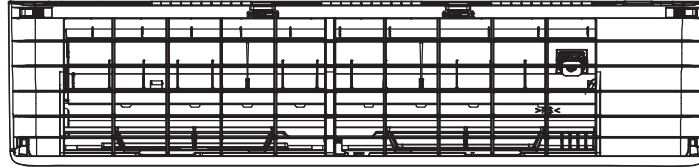
Relative position between the indoor and the installation plate <Front View>



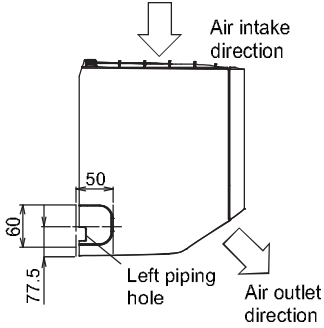
Unit: mm

# 5.1.2 CS-RU18BKA CS-RU24BKA

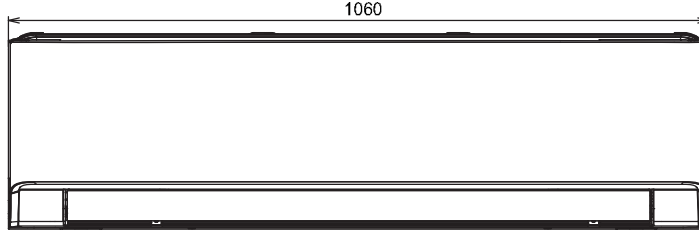
<Top View>



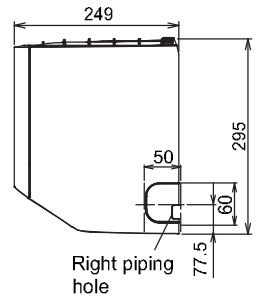
<Side View>



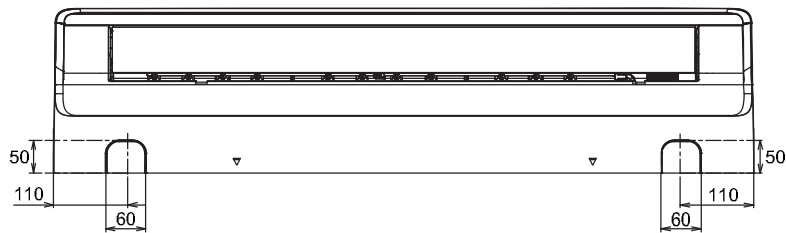
<Front View>



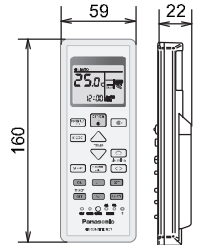
<Side View>



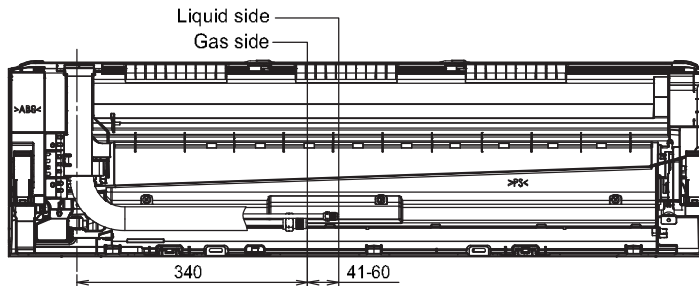
<Bottom View>



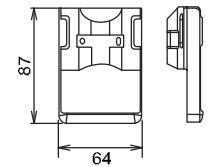
<Remote Control>



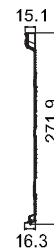
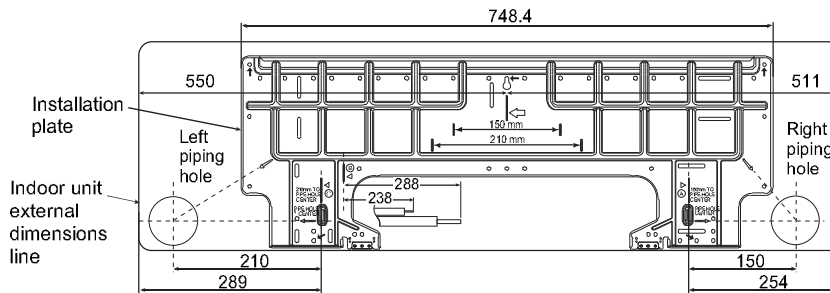
<Rear View>



<Remote Control Holder>



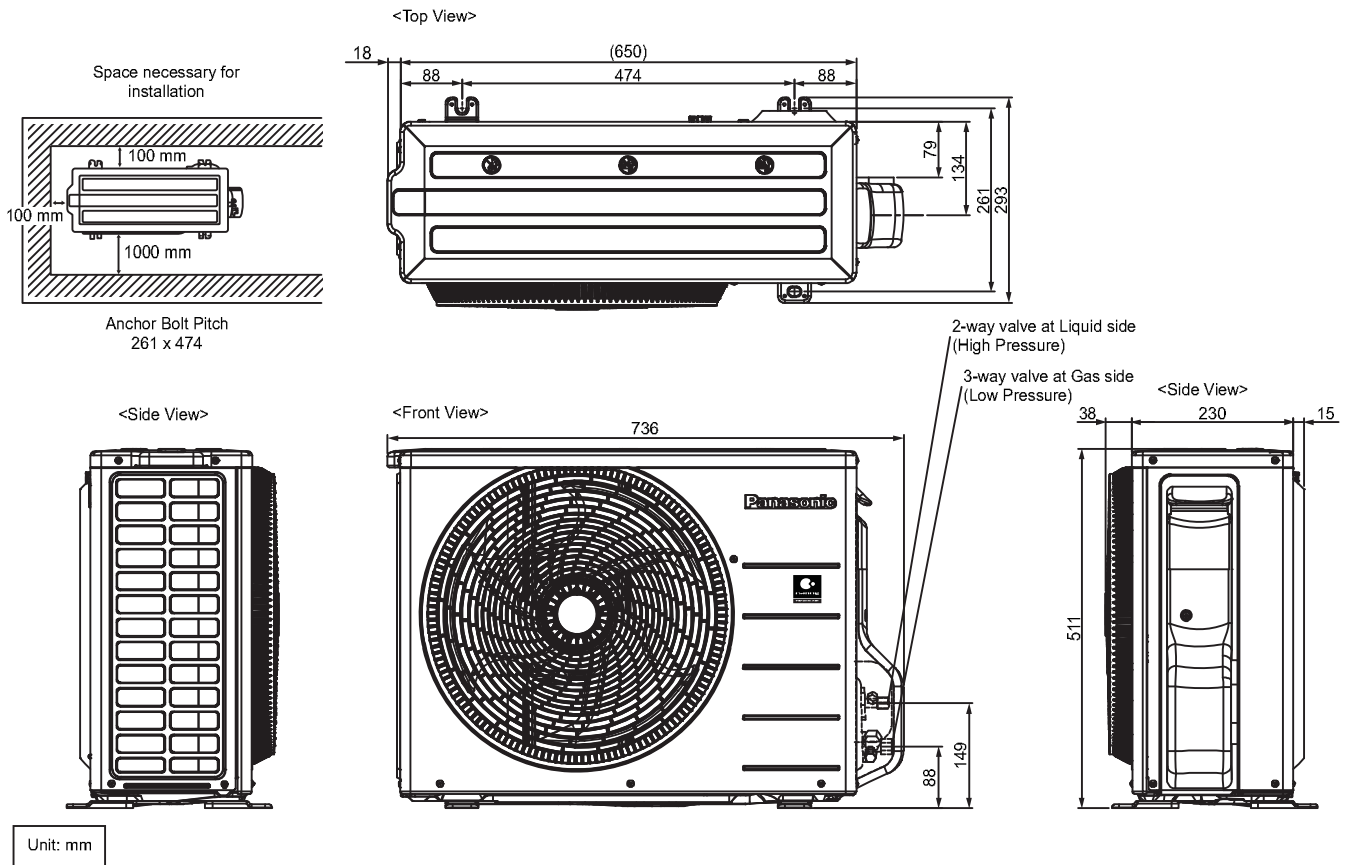
Relative position between the indoor and the installation plate <Front View>



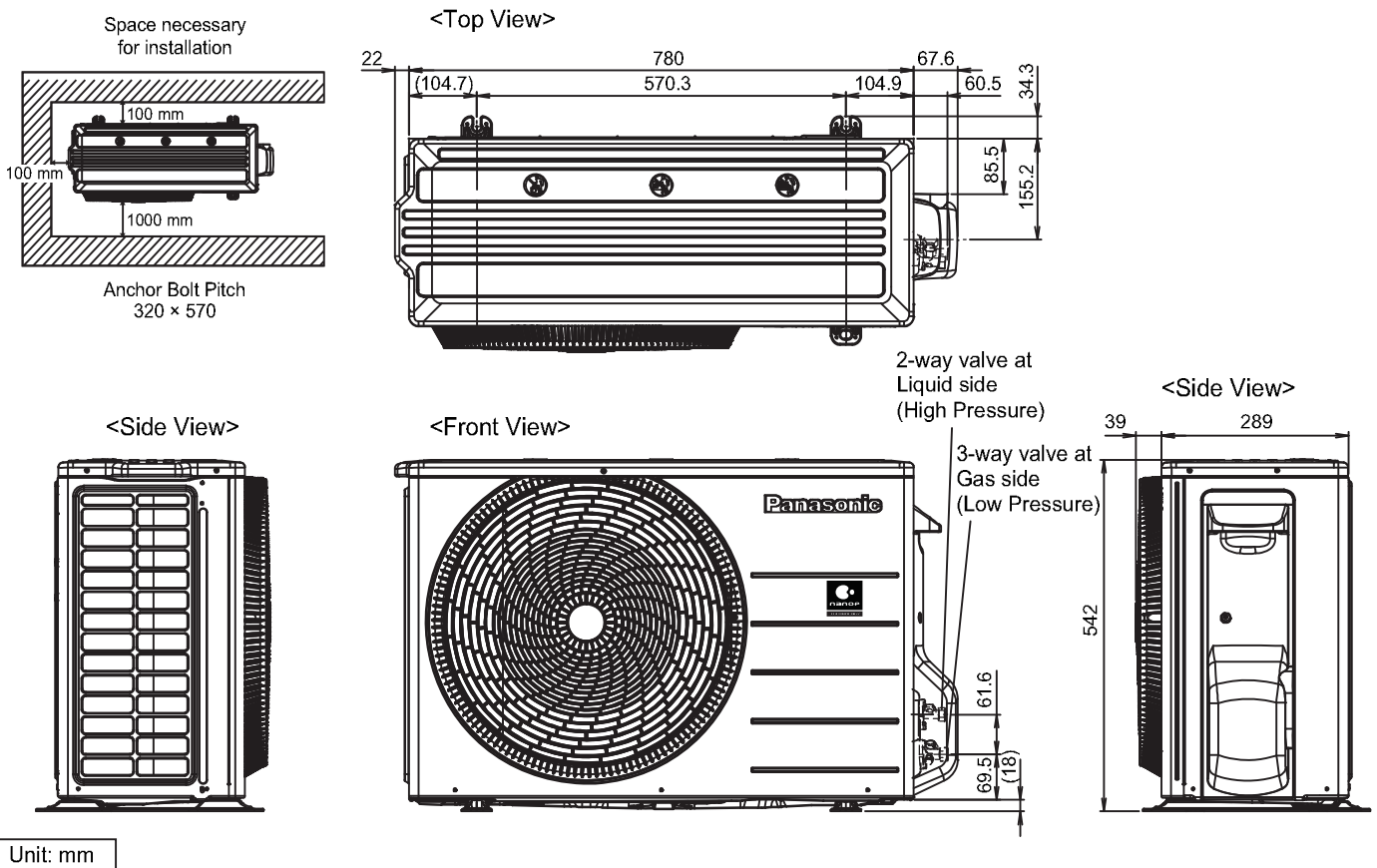
Unit : mm

## 5.2 Outdoor Unit

### 5.2.1 CU-RU9BKA



### 5.2.2 CU-RU12BKA



### 5.2.3 CU-RU18BKA

