

# Panasonic®

## Operating Instructions Refrigerator (Household use)

English

## 使用說明書 雪櫃 (只供家用)

中文

Model No./ 型號 **NR-B182W-SHK**  
**NR-B182W-WHK**



Thank you for purchasing this Panasonic product.  
Please read these instructions carefully before using this product.  
Please keep this manual for future reference.

非常感謝您購買本 Panasonic 產品。  
使用本產品之前，請先仔細閱讀下列使用說明。  
請保留此說明書，以供日後使用。

# Contents

<b>Introduction</b>	<b>Caring for the environment</b> .....	<b>2</b>
	<b>Safety instructions</b> .....	<b>3</b>
<b>Installation</b>	<b>Installation</b> .....	<b>6</b>
	<b>Choosing the right location</b> .....	<b>6</b>
<b>Operation</b>	<b>To use all features</b> .....	<b>8</b>
	<b>Temperature control</b> .....	<b>9</b>
<b>Appendix</b>	<b>How to clean</b> .....	<b>10</b>
	<b>In these cases</b> .....	<b>11</b>
	<b>Troubleshooting</b> .....	<b>12</b>
	<b>Specifications</b> .....	<b>12</b>

- This appliance is intended to be used in household and similar applications such as
  - staff kitchen areas in shops, offices and other working environments;
  - farm houses and by clients in hotels, motels and other residential type environments;
  - bed and breakfast type environments;
  - catering and similar non-retail applications.

## Caring for the environment

### Disposing of the packaging



Please recycle where possible (e.g. cardboard, plastic bags, adhesive tape and polystyrene) and make sure you dispose of all other packing materials safely.

Keep the packaging out of the reach of babies and young children, to avoid injury or suffocation.





### Before disposing of your old appliance

Please follow either the disposal instructions from the manufacturer of the old appliance, or local disposal regulations for the appliance. Where this is not available, please follow the three step instructions below.

1. Remove the plug from the socket.
2. Cut the supply cord off, and safely dispose of it with the mains plug still attached.
3. Until the old appliance is collected, or you take it to a Recycling Centre, make sure it's out the reach of small children.
  - Remove all sealing materials from the door and leave all the shelves and drawers in place.  
This way, children are less likely to climb in and become trapped.

# Safety instructions

## What the symbols mean.

 Do not	 Indicates the appliance must be earthed to prevent electric shock
 Make sure you do this	 Do not take apart



異丁烷  
iso-butane

English



### Indicates risk of death or serious injury.

This appliance is not intended for use by persons (including children) with reduced physical, sensory or mental capabilities, or lack of experience and knowledge, unless they have been given supervision or instruction concerning use of the appliance by a person responsible for their safety. Children should be supervised to ensure that they do not play with the appliance.

## For power plugs and cords...



**Periodically remove dirt such as dust from the power plug.**

**Plug into a wall outlet of the rated voltage on its own with the rated current and insert plug fully.**

**Unplug the refrigerator before cleaning and servicing.**

**If you do not intend to use the refrigerator for an extended period of time, then disconnect it.**

**If the power cord or plug of the appliance is damaged, it must be replaced by the manufacturer of its service agent or similarly qualified person in order to avoid a hazard.**



**Do not insert or disconnect the power plug into/from the wall socket with wet hands.**

**Do not damage the power plug or cord. Do not cut or process the plug or cord; do not expose them to high temperatures; do not excessively bend, twist or pull them; do not place heavy objects onto them; and do not arrange them in bunches.**

- Contact your dealer for repairs to the plug or cord.

**Do not push the rear of the refrigerator against the power plug.**

**Do not use while the cord or power plug is damaged, or while the plug is not fully inserted into the outlet.**

**Do not unplug the refrigerator by pulling on the supply cord.**

- This can damage to the supply cord. Always grip the plug and pull firmly from the socket.

**Do not use a multiple socket adaptor and plug several appliances into the same socket adaptor.**

- This can cause overheating, fire or short circuit.

## Stop using the refrigerator immediately and pull out the plug, if there is an abnormality or failure.

- Otherwise it may cause smoke, a fire or electrical shock



### Abnormality and failure examples

- Power cord or plug is abnormally hot
- Power cord is deeply cut or deformed
- There is a burning smell
- You can feel tingly electricity

**Contact the dealer immediately for inspection and repair.**

## When using...



**Do not apply water on the body or interior.**

- Electrical insulation deteriorates and may cause shocks or fire.

**WARNING: Do not damage the refrigerant circuit.**

- The flammable refrigerant may catch fire and lead to an explosion.

**Do not store petrol or other flammable liquids and vapours in the refrigerator, or use them near the appliance.**

- This can cause explosion or fire.

**Do not spray inflammable gas near the refrigerator.**

- This can cause explosion or fire.

**WARNING: Do not use electrical appliances inside the food storage compartments of the appliance, unless they are of the type recommended by the manufacturer.**

- If the refrigerant leaks, then it may catch fire due to sparks on the contacts.

**WARNING: Do not use the mechanical devices or other means to accelerate the defrosting process, other than those recommended by the manufacturer.**

- This can cause damage to the interior of the refrigerator or cause an explosion.

**Do not store chemicals or scientific specimens.**

**Do not put a container of water on the refrigerator.**

- If water spills out, it causes insulation failure and results in electric shock and a fire.

**Do not put wobbly things on the refrigerator.**

- They may drop by vibration and you may be injured.

**Do not let children climb, swing or hang on the refrigerator door.**

- This can cause serious injury, as well as damaging the refrigerator.

**Do not operate the refrigerator in the presence of explosive fumes or flammable gas.**

- This can cause explosion or fire.



**A flammable refrigerant is used. If you have damaged the cooling circuit (piping), open the windows to ventilate the kitchen and contact your dealer.**

**Maintenance work must only be carried out at workshop by well-trained maintenance worker.**

- Otherwise it may cause an electrical shock, ignition or explosion.



**Do not try to disassemble, repair or modify the refrigerator by yourself.**

- You may injure yourself – or others – with burns or electric shock, or damage the refrigerator.

**If your appliance needs alterations or repair, please consult authorized service centre.**

## When installing...



**Install the refrigerator in a well-ventilated area.**

- The more refrigerant there is in an appliance, the larger the room it should be installed in. If there's a refrigerant fluid leak, and the appliance is in a small room, the build up of combustible gases is more likely. This can cause fire or explosion. As a guide, for every 8 g of coolant, you'll need at least 1 cubic metre of space in the room. The data plate inside the appliance tells you how much refrigerant your refrigerator contains.
- **WARNING:** Keep ventilation openings, in the appliance enclosure or in the built-in structure, clear of obstruction.



**Ensure that the refrigerator is plugged into an earthed mains socket.**

- Do not plug into an unearthed mains socket.



**Do not install the refrigerator in a damp place, or where it may come into contact with water.**

- Deteriorated insulation of electrical parts can cause short circuit, electric shock or fire.

**Do not fill the gaps around the refrigerator.**

- If the refrigerant leaks, then it may catch fire.

**When disposing and recycling the product...**

**When a concern exists for possible entry of a child during recycling, remove the door packing. The refrigerant (R600a iso-butane) used in the refrigerator and the gases in the insulation material (cyclopentane) are both flammable. They also require special disposal procedures.**

- Before you dispose of the appliance, make sure none of the pipes on the back are damaged. Refrigerant or gas leaks can cause fire or explosion.
- Do not damage the refrigerant circuit.

**The warning labels mentioned above should be kept throughout the life of the refrigerator. The user manual should be handed over to any person who would use or handle the refrigerator whenever the refrigerator would be transferred to another location and delivered to a recycling plant.**

**In case of having damaged the refrigerant circuit, do not use electric items or equipments nearby, and open windows to provide good ventilation. Please also contact your local maintenance agent to follow up.**



**Indicates risk of injury or damage to property.**

**When storing food...**

**Do not add a high impact on glass trays.**

- Otherwise, those glass trays may break and you may be injured.

**Do not allow foods to protrude from the glass tray.**

**Do not store food containers on the door shelves if they do not reach the bottom of the shelves.**

- Food may fall and cause an injury.

**Do not freeze bottles.**

- If the liquid in a glass bottle is frozen, then the bottle may break and the liquid may leak out.

**Do not touch frozen food or containers (especially metal), ice with wet hands.**

- Otherwise, you may get frostbite.

**Do not eat food that has an unusual odor or is discolored.**

- Rotten food may cause illness.

**When opening/closing the doors...**

**Do not open/close it if others come into contact with the refrigerator.**

**Do not open or close the door with excessive force.**

- Food may fall and cause an injury.

**Do not touch a supporting point of rotation of the door.**

- Otherwise, your finger may get caught.

**Do not palce your feet under the bottom drawer.**

- Otherwise, your toes may get caught.

**When cleaning...**

**Please be careful when you fit or remove a glass tray.**

- Dropping glass shelves may cause shelf damage or an injury due to bruising.



**Do not place your hands or feet beneath the bottom of the refrigerator.**

- The edges of the metal panel may cause an injury.

**Do not touch a compressor or piping.**

- Otherwise, you may be burned.

**When moving or transporting the refrigerator...**

**Apply protective covering, etc. to floors with a fragile surface.**

- Otherwise, the floor may get damage.

**Carry the refrigerator, holding the non-retractable leg, the adjustable leg.**

- Otherwise your hands may slip and cause an injury.



**Do not hold the evaporating pan when carrying the refrigerator.**

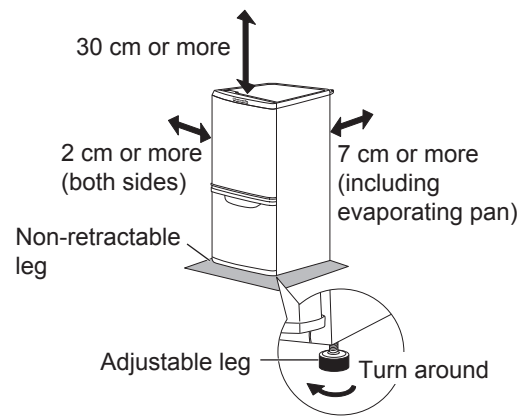
- Otherwise, the refrigerator may fall.

# Installation

## Choosing the right location

### 1. Place the refrigerator in the following locations.

- **Locations free from heat and direct sunlight**  
Minimize reduction of cooling power, and prevent electricity waste.
- **Well-ventilated locations with low humidity**  
Minimize rust and generation of condensation.
- **Sturdy and flat floors**  
With carpet, tatami mats, or vinyl floors, deformation or discoloration may occur, so place a board underneath the refrigerator.
- **Place the refrigerator away from other devices**  
Prevent noise and incorrect image display on TVs and other devices.
- **Locations allowing the power plug to be cleaned easily**  
Clean dust regularly.  
(To prevent fire caused by dust.)
- **Locations that allow a heat to dissipate**  
(There should be a space between the wall and the side of the refrigerator at least 2 cm as well as the space between the top of the refrigerator and the ceiling at least 30 cm and the back of the refrigerator and the wall at least 7 cm)  
If you put on an oven on the refrigerator, the space between the top of the oven and the ceiling at least 10 cm and the back of the oven and the ceiling at least 10 cm.



**Note:**

- When you first start to use the refrigerator, you may smell from the plastic parts.  
Ventilate a room so as not to be stuffy, just in case.  
Smells will gradually go off.

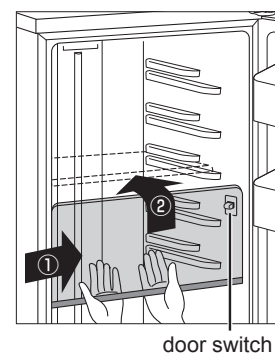
### 2. Fix the refrigerator.

**Turn the adjustable legs (right)**

- Until they reach the floor to stabilize the refrigerator.
- If the refrigerator has not been stabilized completely, then you may hear knocking noises when the door is opened/closed. (This will not affect the performance.)**
- Install the refrigerator on sturdy and flat floors.

### 3. Set the glass tray.

- ① Hold it vertically with the side having a white rim facing down.  
Then, put it in a space between the refrigerator body and the door from the side.
  - ② Rotate and insert it all the way.
- Please handle with care so that it may not come into contact with the door switch located in the right front side (near the third rail from the top).



#### 4. Plug into a wall outlet.

After removing the power cord, set the evaporation pan correctly.

Plug into a wall outlet of the rated voltage on its own with the rated current and insert plug fully.

The power plug can be plugged into an outlet immediately after installation.

The surroundings and surfaces (side surfaces) of the refrigerator may become hot (approximately 50 °C to 60 °C when the ambient temperature is 30 °C) when the power is turned on, but this is not abnormal.

If the power plug is removed, wait at least 7 minutes before plugging it back in.

#### 5. Cool the refrigerator interior.

It may take approximately four hours to cool down the interior.

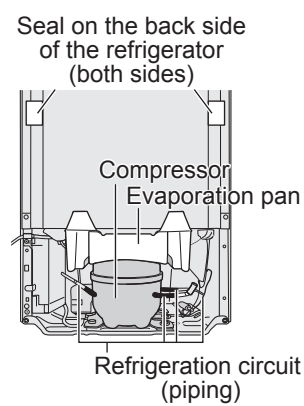
It may take 24 hours or more to cool down the interior and achieve equilibrium in the summer, etc.

**Do not open/close the doors until the interior has cooled down sufficiently.**

- Warm air flowing into the interior will block the cooling function.

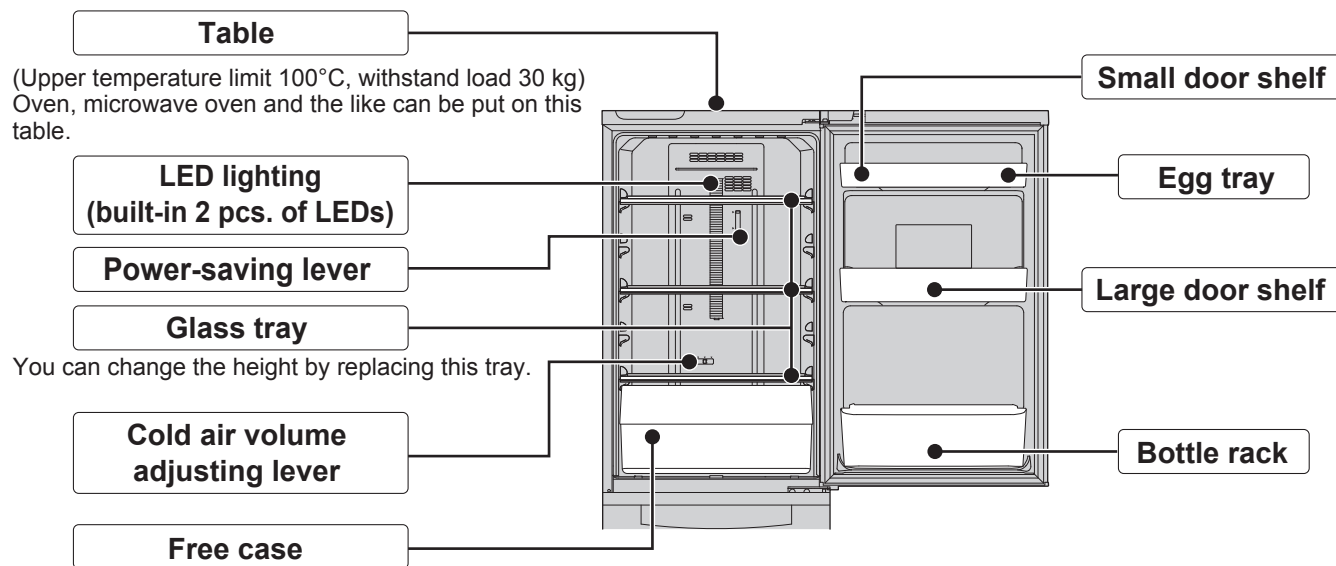
##### Request:

- Do not peel the seal on the back.  
The filling openings of a thermal insulation material.  
Peeling them off causes a decrease in chilling.  
If you have peeled it, then cut a cloth packing tape into a square and paste it.

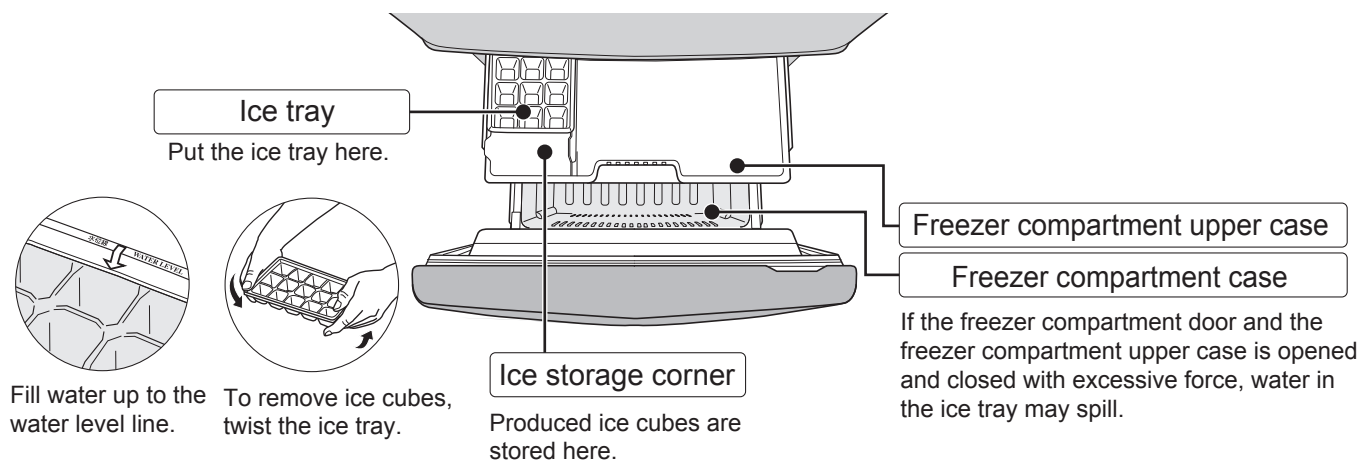


# To use all features

## Refrigerator compartment (approx. 3°C – approx. 6°C)



## Freezer compartment (approx. -18°C – approx. -22°C)



**Note:**

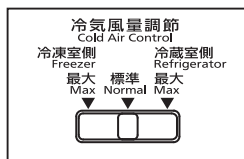
- Temperature shown in the diagram is a measure of temperature when refrigerator without foods is in stable condition with the door closed at 32°C ambient temperature, with setting the cold air volume adjusting lever and the power-saving lever to "Normal".



## Temperature control

Interior temperature is automatically adjusted to the appropriate temperature.  
If temperature control is necessary, temperature can be adjusted by the following operation.

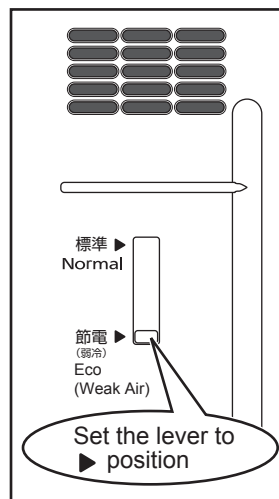
### Cold air volume adjusting lever



Usually, use this refrigerator with this cold air volume-adjusting lever set to "Normal". If the freezer compartment or the refrigerator compartment isn't cooled sufficiently, you can adjust the cold air volume.

Freezer Max	<ul style="list-style-type: none"> <li>When the ambient temperature is low in winter (approx. 10°C or below) and the freezer compartment isn't cooled sufficiently. (If the lever is set to "Freezer Max", during the season other than winter, the refrigerator compartment will not be sufficiently cooled.)</li> </ul>
Refrigerator Max	<ul style="list-style-type: none"> <li>When the ambient temperature is high in summer (approx. 35°C or higher) and especially the refrigerator compartment door is frequently opened and closed. (If the lever is set to "Refrigerator Max", for a long time, the freezer compartment will not be sufficiently cooled.)</li> </ul>

### Power-saving lever



Usually, use this refrigerator with this power-saving lever set to "Normal". When foods will be stored in small quantity or you go out for long periods, if you set this lever to "Eco(Weak Air)", the interior temperature will rise 1°C – 2°C and power-saving running starts. (approx. 3% power-saving) if you set this lever to "Eco(Weak Air)" when the ambient temperature is high in summer and especially the door is frequently opened and closed, refrigerator will not be sufficiently cooled.

### Notes:

- Defrosting isn't necessary. Frost is automatically melted and evaporated.
- Catechin antibacterial filter in the interior of the refrigerator suppress the action of bacteria in the cold air. (you don't have to change a filter.)

We confirmed antibacterial effectiveness as follows.

\* Test laboratory: 廣東省微生物分析檢測中心 (Guangdong Detection Center of Microbiology)

Test method: JIS Z 2801 Film adhesion method

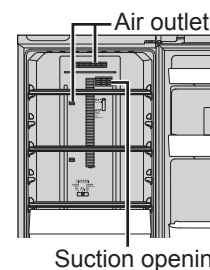
Antibacterial treatment method: antimicrobial by catechin-containing filter

Parts subject to: filter

Test results: 99% antibacterial effectiveness

### Requests:

- Wrap vegetables or fruit in plastic wrap, or put them into a container. Then put them on the glass tray (to keep them from drying out or freezing).
- Wrap cut citrus fruits in plastic wrap or plastic bag (to prevent plastic from being discolored).
- Put foods on the upper freezer case so that they will not protrude from the case. (Otherwise, the door may not completely close and frost may occur.)
- Space between legs of a microwave oven which can be put on the table is within; width 447 mm/depth 429 mm.
- If you put on an oven on the refrigerator, there should be a space between the top of the oven and the ceiling at least 10 cm and the back of the oven and the ceiling at least 10 cm. Also, there are some ovens that you can not put on the table because of its base shape.
- If you put water-rich foods near the air outlet, they may freeze. Do not put foods near the air outlet.



Suction opening

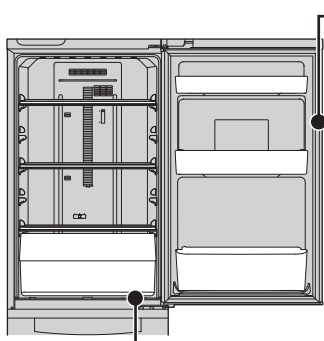
# How to clean

**Before cleaning, be absolutely sure to disconnect the power plug from the power outlet**

You can wipe off dirt easily as long as the dirt dries out by cold air.

Especially, cooking oil causes cracks in plastic parts and citrus fruit juice causes discoloration of the plastic parts. If you have difficulty in cleaning off the dirt, dilute neutral kitchen detergent with water and wipe off with a wet cloth to finish up.

## Sections where are likely to get dirt



### Door packing

If adhesion soup, fruit juice Zang materials, easy damaged and cause air leakage.

### Back side of a refrigerator, floor, outlet

They are likely to get dirt due to convection of air. (as a guide, about once a year)

### Food-juice receiving part

If it gets dusty or food juice accumulates, wipe off.

### Evaporating pan (P.7, P.11)

If it is soiled with dust, it is becoming difficulty to evaporate water.

Water may spill and odor may occur.

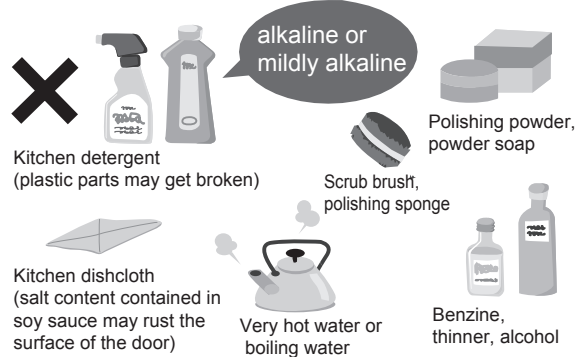
(as a guide, about once a year)

Clean up the refrigerator upon become dirty!



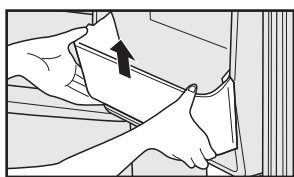
### Requests:

- Trays are made of glass. Please handle it with care so that it will not drop and cause damage or injuries.
- Do not use the following things. (otherwise, the surface may get damage)



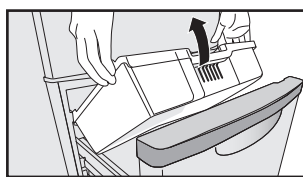
## Interior (remove parts and rinse them)

### • Door shelf/bottle rack



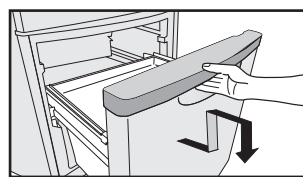
Tap the bottom of these shelves upward and remove (tightly attached)

### • Upper freezer case

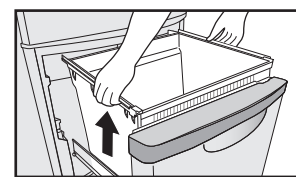


Take the freezer upper case out facing up the front

### • Freezer case



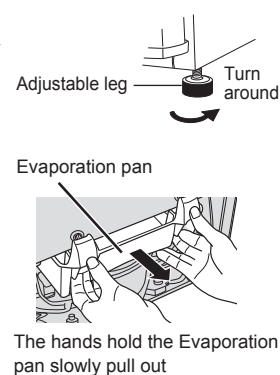
① Slide the door and lift it more. Then, lay it on the floor



② Open the freezer compartment door and pull the case out

# In these cases

<b>The power failed.</b>	<ul style="list-style-type: none"> <li>• Keep the doors closed and do not store additional food.</li> </ul>
<b>The power plug was disconnected.</b>	<ul style="list-style-type: none"> <li>• Wait at least 7 minutes, and then plug in the power plug. If it is plugged in immediately, the compressor will be overloaded, which may cause a malfunction.</li> </ul>
<b>The refrigerator is not used for a long time.</b>	<ul style="list-style-type: none"> <li>• Remove all foods and drinks and clean the refrigerator.             <ol style="list-style-type: none"> <li>① Disconnect the power plug.</li> <li>② Clean the compartments and the ice-making tray. (P.10)</li> <li>③ Keep the doors opened for two to three days to dry the compartments. When drying is insufficient, the compartment may get moldy or have a foul smell.</li> </ol> </li> </ul>
<b>When you move or transport the refrigerator.</b>	<ul style="list-style-type: none"> <li>• Do not transport refrigerators in a horizontal position. Doing so cause a failure of pipes around the compressor possible to be broken.</li> <li>• Move the refrigerator with at least two people, holding the non-retractable leg, the adjustable leg (P.6) and the attaching portion of anti-overturning belt (P.6).             <ol style="list-style-type: none"> <li>① Remove foods and discard ice/water in the ice tray.</li> <li>② Disconnect the power plug.</li> <li>③ Raise the adjustable leg.</li> <li>④ Drain water from the evaporating pan.</li> </ol> </li> </ul> <p><b>Note:</b></p> <ul style="list-style-type: none"> <li>• If frost remains on the cooling unit (not visible from the outside) in the refrigerator, then water may spill when it is moved. It takes approximately 15 hours for the frost on the cooling unit to melt after the refrigerator power plug is disconnected.</li> </ul>
<b>When you replace the "LED lighting".</b>	<ul style="list-style-type: none"> <li>• When replace "LED lighting", please contact with your authorized dealer or service center.</li> </ul>



# Troubleshooting

If you feel that the refrigerator is not working properly, check out the following points first.

If the trouble persists, disconnect the power plug and contact your dealer or an authorized service centre.

Cooling	<b>Does not get cold at all</b>	<ul style="list-style-type: none"> <li>• When you use this refrigerator for the first time, from four to 24 hours or even more are required until the refrigerator begins to cool.</li> <li>• Has the power supply failed?</li> </ul>
	<b>Does not get cold enough</b>	<ul style="list-style-type: none"> <li>• Isn't a food item blocking the cold air outlet? (P.9)</li> <li>• Is the refrigerator subject to direct sunlight or are there any heating devices in its vicinity? (P.6)</li> <li>• Is sufficient spaces secured around the refrigerator? (P.6)</li> <li>• Isn't a hot item stored, doors opened frequently, or too much food stored?</li> <li>• Have the cold air volume adjusting lever and the power-saving lever been set to "NORMAL" ? (P.9)</li> </ul>
	<b>Frost and dew</b>	Freezer compartment/refrigerator compartment. <ul style="list-style-type: none"> <li>• This condition occurs when humidity is high, door was kept open for a long time, or opened frequently.</li> </ul>
	<b>The food is frozen</b>	<ul style="list-style-type: none"> <li>• Did you put food with high water content near the cold air outlet in the refrigerator. (P.9)</li> </ul>
Sound	<b>Rattling noise</b>	<ul style="list-style-type: none"> <li>• Is the floor tough and horizontal? (P.6)</li> <li>• Do both the legs reach the floor and is the refrigerator properly fixed? (P.6)</li> <li>• Is the evaporation pan firmly fixed?</li> </ul>
	<b>Strange noise</b>	<p>The following sounds are not abnormal.</p> <ul style="list-style-type: none"> <li>• Bubbling sounds....The sounds of refrigerant (gas) flowing.</li> <li>• Hissing sound.....The sound of water being evaporated by the heater during defrosting.</li> <li>• Zooming sound.....The sound of the fan operating.</li> <li>• Snapping sound ....The sound of parts expanding and contracting as a result of temperature changes.</li> </ul>
Smell	<b>The interior smells</b>	<ul style="list-style-type: none"> <li>• Are strong smelling foods hermetically sealed?</li> <li>• Odor often attaches to the interior walls. Dip a soft cloth in lukewarm water and squeeze it. Wipe it with this cloth.</li> </ul>
Hot	<b>Front (or side) panel is hot</b>	<ul style="list-style-type: none"> <li>• This refrigerator is equipped with a heat-release pipe to prevent dew from forming. When you first start to use the refrigerator or during summer, the surface of the refrigerator body (both sides) especially becomes hot. However, this is not abnormal.</li> </ul>

# Specifications

MODEL	NR-B182W-SHK	NR-B182W-WHK
TOTAL GROSS VOLUME	179 L	
TOTAL STORAGE	158 L	
STORAGE FRIDGE	125 L	
STORAGE FREEZER	33 L	
OUTSIDE DIMENSIONS WIDTH × DEPTH × HEIGHT	480 mm × 586 mm × 1293 mm	
WEIGHT	37 kg/81 lb	
RATED VOLTAGE	Indicated on the quality indication label on the inside of the fridge compartment wall.	
RATED FREQUENCY		
REFRIGERANT	R600a	
BLOWING AGENT	Cyclo-Pentane	

\* This refrigerator's volume is calculated based on IEC 62552.

# 目錄

<b>簡介</b>	保護環境 .....	13
	安全指引 .....	14
<b>安裝</b>	安裝 .....	17
	選擇正確的地方 .....	17
<b>操作</b>	各零部件的名稱和使用方法 .....	19
	溫度控制 .....	20
<b>附錄</b>	清洗方法 .....	21
	遇到這些情況時 .....	22
	疑難排解 .....	23
	規格 .....	23

- 該產品主要適用於家用及其相關應用，例如
  - 商店、辦公室和其他工作環境的員工食堂；
  - 農舍和住有旅客的酒店、旅館以及其他居住環境；
  - 住宿加早餐經營形態的環境；
  - 餐飲和相關非零售應用。

## 保護環境

### 包裝棄置



請儘可能回收物品（例如紙板、膠袋、膠紙和發泡膠），並確保以安全的方法棄置其餘所有包裝物料。

應將包裝置於嬰兒或幼童無法觸及的地方，以避免受傷或窒息。





### 棄置舊電器之前

請遵照舊電器的生產商所示之棄置指示，或針對電器的本地的廢物處理條例棄置電器。如果上述方法不適用，請按照以下三個步驟棄置舊電器。

1. 從插座中拔出插頭。
2. 切斷電線，並在仍然附有電源插頭的情況下安全棄置電器。
3. 舊電器被收集或帶到回收中心前，確保置於幼童無法觸及的地方。
  - 拆下雪櫃門邊的所有封邊物料，並將所有層架和拉櫃保留在原有位置。  
此舉可令兒童較難攀爬入內並且防止被困。

# 安全指引

## 圖標含義

 切勿	 表示電器必須接地，以防止觸電
 確保執行此事項	 切勿拆卸



異丁烷  
iso-butane



### 表示可能有導致死亡或嚴重受傷的危險。

本產品不適合下列人士（包括兒童）使用：身體官能或心智能力退化的人士，或缺乏經驗與知識的人士。他們需要有負責其安全的人員在旁監督，或指示產品的使用方法，方可使用。兒童應當予以監管，確保他們並無把玩本電器。

## 關於電源線及電源插頭



請定期清除電源插頭上的污漬或塵埃。

請將插頭插入與其定額電壓和定額電流相應的插座中，並確保完全插入。

清潔及保養雪櫃前，先拔下雪櫃的電源。

若長期不使用雪櫃時，請拔下雪櫃的電源。

若電源線或插頭損壞，請聯絡指定的維修店並由專業維修人員負責更換，切不要私自更換。



切勿用濕手觸摸電源插頭。

切勿損壞電源線及電源插頭；切勿切割或處理電源線及電源插頭；切勿讓電源線及電源插頭接觸高溫物體；切勿拉扯、捆扎電源線及電源插頭；切勿將重物壓在電源線及電源插頭。

- 如電源線或電源插頭已經損壞請聯絡指定的維修店並由專業維修人員維修。

切勿將雪櫃背部靠緊電源插頭。

切勿使用破損的電源線或電源插頭，並確保已連接穩妥。

拔出雪櫃插頭時，切勿拉扯電線。

- 否則可導致電線損壞。請務必握穩插頭，並用力從插座中拔出插頭。

使用萬能插座時，切勿將多部電器插入同一個插座。

- 否則可導致過熱、起火或短路。

## 遇到異常情況時，應立即停止使用雪櫃並拔下雪櫃插頭。

- 否則會引起煙霧、起火或觸電



### 異常的例子

- 電源線及電源插頭過熱。
- 電源線有嚴重壓痕或變形。
- 有焦糊的氣味。
- 有輕微觸電的感覺。

立即聯絡經銷商進行檢查、維修。

## 使用時



切勿在雪櫃箱體或機身內澆水。

- 會引起電器絕緣不良，並有可能導致觸電或火災。

**警告：切勿破壞製冷回路。**

- 易燃製冷劑會引起火災並導致爆炸。

切勿將汽油或其他易燃液體或蒸氣存放在雪櫃之內，或在雪櫃附近使用。

- 否則可導致爆炸或起火。

切勿在雪櫃附近噴灑易燃氣體。

- 否則可導致爆炸或起火。

**警告：除了生產商建議的電器類型外，切勿在雪櫃的食物儲存格內使用電器。**

- 否則冷卻劑洩漏可能會導致起火

**警告：除了生產商建議的方法外，切勿使用機械裝置或其他方法加速解凍過程。**

- 否則可導致雪櫃內部損壞或導致爆炸。

切勿將揮發性或易燃物品放入雪櫃。

切勿將裝滿水的容器放在雪櫃上。

- 如果水溢出會導致絕緣不良，引起觸電或火災

切勿將不穩定的物品放入雪櫃內。

- 否則物體可能由於震動而落下導致人員受傷。

切勿攀爬、舞動雪櫃門或懸吊在雪櫃門上。

- 否則可導致嚴重受傷及對雪櫃造成損壞。

切勿在出現煙氣或易燃氣體時操作雪櫃。

- 否則可導致爆炸或起火。



因為使用了可燃性冷卻劑（R600a），若損壞了冷卻電路（管道），請打開窗戶通風，並聯絡您的經銷商。

此雪櫃必須由受過訓練的技師在工場進行維修。

- 否則可能會引起觸電、著火、或爆炸



切勿嘗試自行拆卸、修理或改裝雪櫃。

- 否則可能令自己或他人灼傷或觸電，或對雪櫃造成損壞。

如果雪櫃需接受改裝或維修，請向授權的維修中心查詢。

## 安裝時



雪櫃應安裝在通風環境良好的地方。

- 雪櫃內的冷卻劑越多，就越應該安裝在較大的房間。如有冷卻劑漏出，而雪櫃置於較小的房間，則有較大機會積聚可燃氣體，並可能導致起火或爆炸。這裡提供一項指引：製冷劑每增加8克，房間就需要增加最少一立方米的空間。本產品內的資料板，可讓您得知產品內的冷卻劑含量。

- **警告：本產品外殼或內置結構的通風口，不應受到外物阻擋。**



請確保雪櫃插頭已插入接地的電源插座。

- 切勿將插頭插入未接地的電源插座。



切勿在潮濕或可能接觸到水分的地方安裝雪櫃。

- 否則可損壞電器部件的絕緣性能，並導致短路、觸電或起火。

雪櫃周圍不要放置物品。

- 若冷卻劑洩漏，會引起火災。

## 產品棄置與回收時



回收雪櫃時，請卸下門封條，避免兒童進入發生意外。

雪櫃內使用的冷卻劑(R600a：iso-butane)及絕緣物料內使用的氣體(環戊烷)均為易燃物品。這些物品也須採用特別的棄置程序。

- 棄置本產品前，應確保背部的所有喉管並無受損。冷卻劑或氣體洩漏，可導致起火或爆炸。
- 切勿破壞冷卻電路。

在雪櫃的整個使用生命週期中應保留警告標籤。任何時候，當雪櫃轉移到其他場所或交付給回收廠時，應為任何將使用或處理此雪櫃的人提供此說明書。

如果冷卻電路受損，請勿在近旁使用電器或燃火設備，請打開所有窗戶保持良好通風。請聯絡您當地的代理機構採取應對措施。



表示有受傷或使物品損壞的危險。

## 儲存食物時



切勿用高氣壓沖擊玻璃層架。

- 否則會導致玻璃層架破裂而傷及人體。

放置食物時切勿超出玻璃層架邊緣。

若儲存食物的容器不能觸及到門架的底部，切勿儲存。

- 否則食物會掉落而傷及人體。

切勿將瓶類放入冷凍室。

- 瓶內液體冷凍後發生膨脹，引起瓶破裂而受傷。

切勿用濕手觸摸冷凍室內的食品 and 容器(尤其是金屬容器)。

- 否則會導致手凍傷。

切勿食用發出異味或變色的食物。

- 若食用腐敗的食品會引發疾病。

## 開/閉門時



關閉雪櫃門時，請確認是否有其他人觸摸雪櫃。

切勿用力關閉雪櫃門。

- 否則食物會落下而傷及人體。

切勿觸摸雪櫃門上的旋轉支撐點。

- 否則會導致手指受傷。

切勿把腳放於抽屜式冷凍室之下。

- 否則可能會夾住你的腳趾。

## 清潔時



當安裝或拆卸玻璃層架時，請小心。

- 否則玻璃層架落下破裂導致人體受傷。



切勿將手和腳放置雪櫃底部。

- 否則鐵板邊位會傷及人體

切勿觸摸壓縮機及配管。

- 否則會導致燙傷。

## 移動、搬運雪櫃時



請在容易受損的地面上鋪設保護用的板。

- 否則會損壞地面。

搬運雪櫃時，請抓住固定腳及調節腳。

- 否則手會滑開導致受傷。



搬運時切勿握住蒸發盤。

- 否則會導致雪櫃滑落。



# 安裝

## 選擇正確的地方

### 1. 將雪櫃安裝在符合下列標準的地方。

- **安裝在不受熱氣和太陽光照射之處**  
這樣可抑製冷卻能力的下降，節省電費。
- **安裝在濕氣少，通風情況良好之處**  
這樣可以抑製生銹，節省電費。
- **安裝在堅固的水平處**  
雪櫃安裝在地毯或聚氯乙烯製的地板材質上時，可在雪櫃底下放置堅硬的墊板。
- **安裝在遠離其他電器之處**  
會影響電視，產生雜音及圖像的不清晰。
- **安裝在電源插頭容易清掃的地方，定期清除電源插頭上的灰塵**  
(若電源插頭積存灰塵，則會引起火災。)
- **提供足夠位置散熱**  
為了冷卻食品，雪櫃將向四周散熱量。如圖所示，左、右要預留 2 cm 以上，背部要預留 7 cm，上部要預留 30 cm 以上的間隙。  
(產生振動噪聲時則拉開一些) 如果雪櫃頂部放置微波爐時，請保證微波爐上部及背部有 10 cm 以上的間隙。

#### 註：

- 開始使用雪櫃時，塑料部件可能有異味。  
請將其放置在房間通風處通風。  
氣味便可逐漸消失。

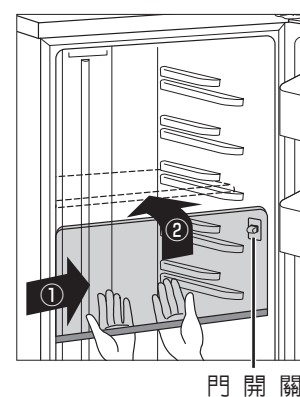
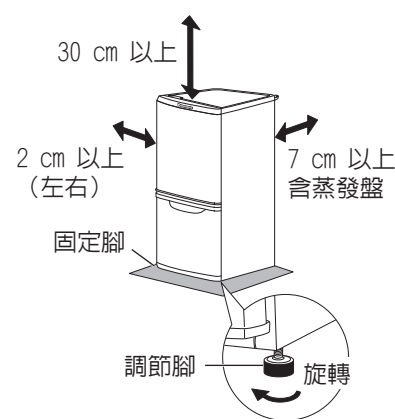
### 2. 雪櫃固定方法

#### 旋轉調節腳（右）

- 直到雪櫃與地面接觸牢靠，使其穩定。
- 如雪櫃未完全穩定，當關閉門時，您可能會聽到碰撞聲。  
(這不影響其性能)
- 雪櫃應安裝在結實平穩的地面上。

### 3. 放置玻璃層架方法

- ① 將白色玻璃飾條垂直向下拿住，橫著放在本體與門之間。
  - ② 旋轉並且完全插入它。
- 請注意不要碰到庫內右手前的門開關（從上至下第三個導軌處）。



中文

## 4. 電源插頭插入電源插座

取出電源插頭後，安裝蒸發盤。

將插頭完全地插入與其定額電壓和定額電流相應的插座中。

在安裝後電源插頭能立即插入插座。

插入電源插頭時，雪櫃的周圍或表面（側面）會有變熱的情況（約 50°C ~ 60°C，周圍溫度約 30°C）這是正常現象。

如果拔下電源插頭，請等待 7 分鐘後再插回電源插頭。

## 5. 雪櫃內部冷卻

雪櫃庫內冷卻大約需要 4 小時。

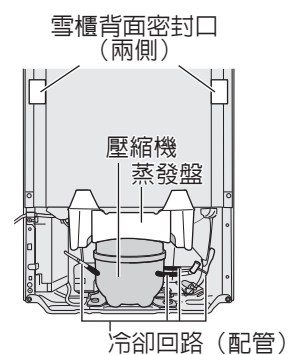
外部氣溫較高的夏季，有時需要 24 小時才能完全冷卻。

為了使雪櫃充分冷卻，請不要頻繁的開關門。

- 因為如有熱空氣流入，會導致難以冷卻。

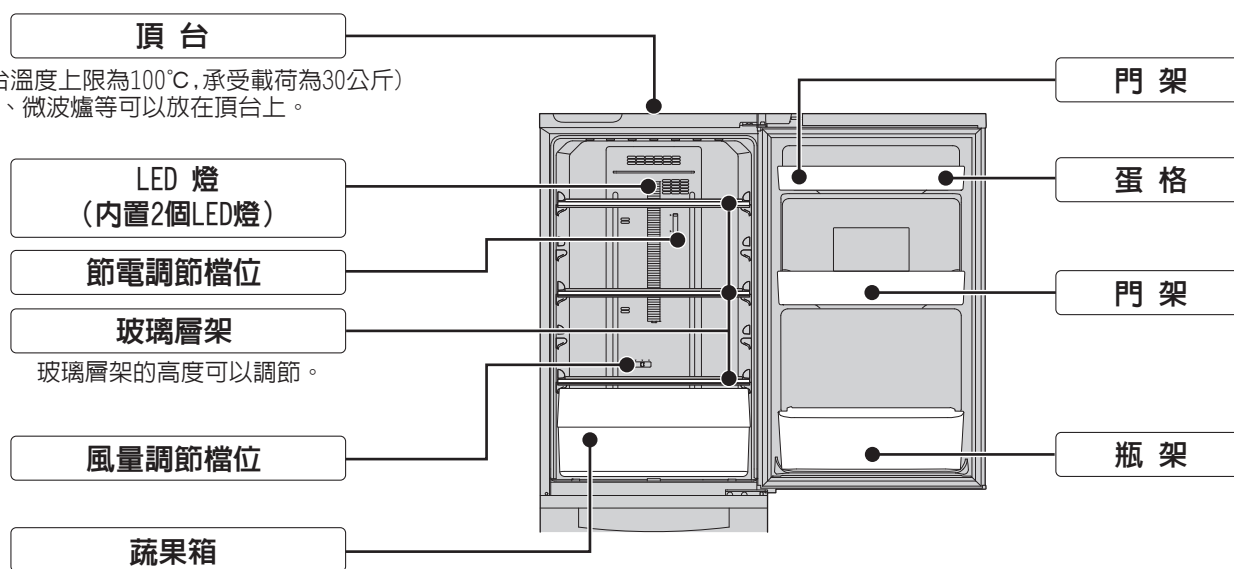
請求：

- 雪櫃背面的膠帶請勿撕掉，該處為發泡劑注入口  
如不小心取下時，請貼正方形布膠帶。



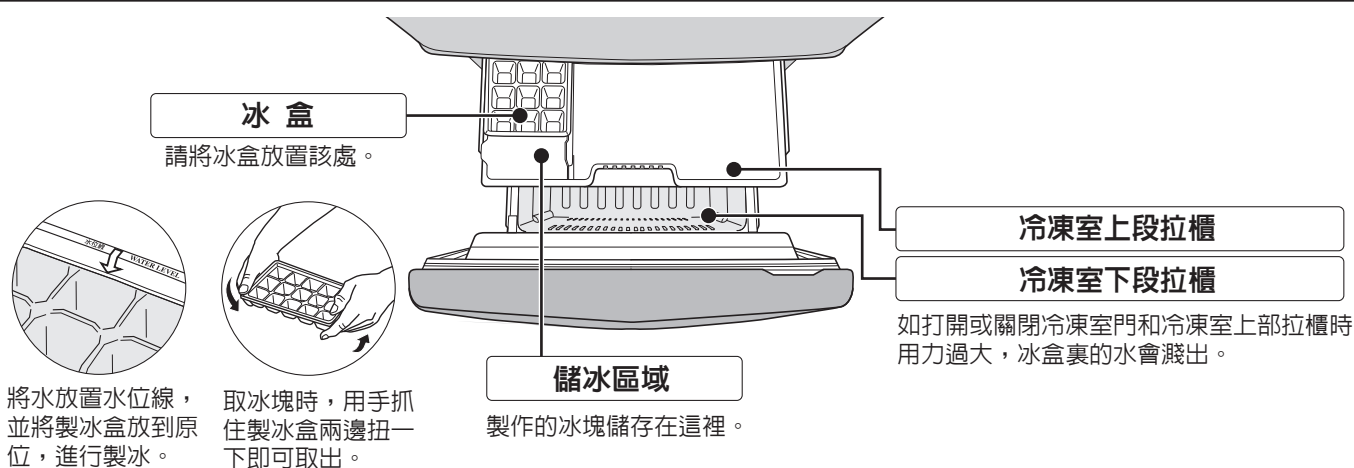
# 各零部件的名稱和使用方法

## 冷藏室 (約 3°C ~ 約 6°C)



中文

## 冷凍室 (約 -18°C ~ 約 -22°C)



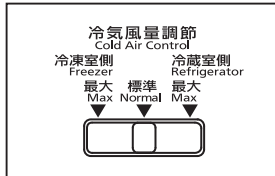
**註：**

- 以上溫度是在雪櫃周圍溫度為 32°C、冷氣風量及節電設置在“標準”檔位上，且不能放入食物，門處於關閉狀態下，雪櫃安定後的目標溫度。

## 溫度控制

庫內溫度會自動進行最適化調節。如有需要調節溫度的情況，可以按照以下操作步驟進行調節。

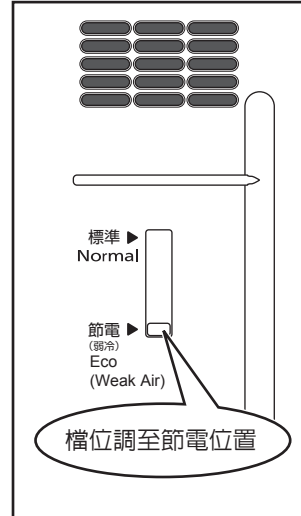
### 關於冷氣風量調節控制



一般使用時將檔位設置在「標準」位置上。  
當冷凍室和冷藏室的冷卻效果不足時，可調節冷氣的風量分配。

<b>冷凍室側 最大</b>	<ul style="list-style-type: none"> <li>當冬季環境溫度較低（約 10°C 以下），冷凍室的冷卻效果較弱時，請將檔位設置在「冷凍室側最大」的位置上。若在冬季以外的情況下將檔位設置在「冷凍室側最大」時，冷藏室的冷卻效果會變弱。</li> </ul>
<b>冷藏室側 最大</b>	<ul style="list-style-type: none"> <li>當夏季環境溫度較高（約 35°C 以上），尤其在冷藏室開關門次數較頻繁的情況下，請將檔位設置在「冷藏室側最大」的位置上。（長時間將檔位設置在「冷藏室側最大」的位置上，冷凍室的冷卻效果會變弱。</li> </ul>

### 關於節電控制



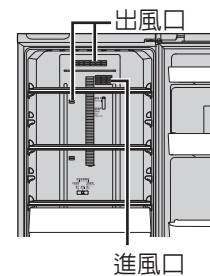
一般使用時將檔位設置在「標準」位置上。  
當存放食品較少或者長時間外出時，如將檔位設置在「節電（弱冷）」模式上雪櫃庫內溫度會升高 1°C~ 2°C（大約節電 3%）。當環境溫度較高（如夏季）、開關門次數較頻繁且存放食品較多的情況下，如將檔位設置在「節電（弱冷）」位置上會使冷卻能力變弱。

#### 註：

- 本雪櫃以自動方式除霜，不必進行人工除霜，蒸發器上的霜會自動溶解，流到蒸發盤中蒸發掉。
- 雪櫃冷藏室內部有抗菌過濾網，可以抑製冷氣中菌的活動。（不需要更換抗菌過濾網）  
 抗菌效果認  
 證實驗場所：廣東省微生物分析檢測中心（Guangdong Detection Center of Microbiology）  
 實驗方法：JIS Z 2801 膜密著法  
 抗菌方法：通過過濾網中的 cate chin 成份抗菌  
 對象場所：過濾網  
 實驗效果：99% 的抗菌效果。

#### 請求：

- 請將蔬菜或水果包裹上保鮮膜或將其放置在容器內。然後把它們放置在玻璃層架上（以防止食品的乾燥和凍結）。
- 請將切開的橘類用保鮮膜或 PE 袋進行包裹（以防止塑料部品變質）。
- 在冷凍室上段的拉櫃內儲存食品時，切勿讓食品高出盒子邊緣。（如果雪櫃門沒有完全關閉，會導致結霜）
- 如果需要在雪櫃頂部放置微波爐時，請保證微波爐上部及背部有 10 cm 以上的間隙。（微波爐尺寸寬 447 mm 深 429 mm 以內）  
 另，有些微波爐或烤箱由於底部形狀不適合放置，因此放置前請先確認能否擺放。
- 如果將水氣多的食品放在出風口附近，會造成食物凍結。  
 請勿將食物放置出風口。

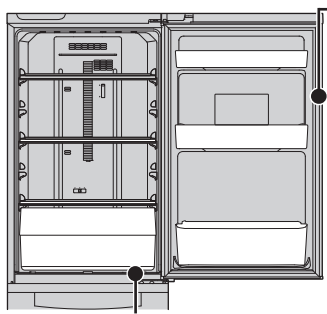


# 清洗方法

## 清洗前，請務必保證將電源插頭從電源插座上拔下

庫內的污漬應在被冷氣固化之前擦拭。  
特別是食用油會導致塑料部件的皸裂、開裂，柑橘類的果汁會導致塑料部件變色。  
可使用蘸了廚房使用的稀釋過的中性清潔劑的布擦拭頑固的污垢，再用清水擦拭乾淨。

## 部品上可能出現的污垢



### 門封條

如附著湯汁、果汁等髒物，容易受損並導致冷氣洩漏。

### 雪櫃的背面、地面、插座

因為有空氣對流，容易導致灰塵堆積  
(建議1年清潔一次)

### 蒸發盤 (P.18、P.22)

蒸發盤中有灰塵，污垢後會導致蒸發困難、盤中的水溢出以及水發臭。  
(建議1年清潔一次)

### 食物-果汁儲存部位

如有髒物或液體積存此部，請擦拭。

如雪櫃變髒請清潔。



中文

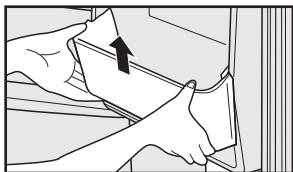
### 請求：

- 層架是玻璃製的。取出時請小心，這樣才不會落下，造成玻璃破損導致人體受傷。
- 請勿使用下列物品 (否則表面會被破壞)



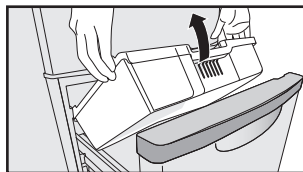
## 庫內 ( 部品的取出和沖洗 )

### ● 門架、瓶架



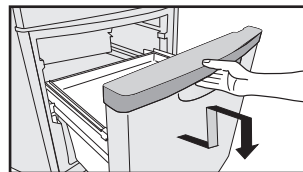
從底下上推門架，將其拆除。  
(門架、瓶架是固定在門上的)

### ● 冷凍室上段拉櫃

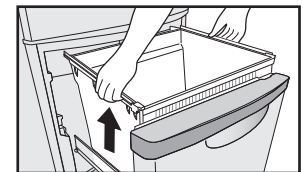


把上段拉櫃向外拉出，向上抬起，將其取出。

### ● 冷凍室下段拉櫃



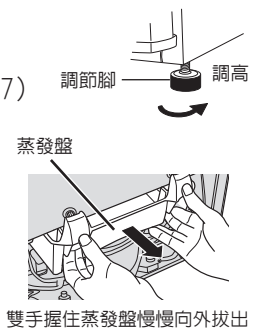
① 將冷凍室門水平向外拉出後稍稍向上抬起，再稍稍拉出放置在地面上。



② 雙手握住下段拉櫃將其取出。

# 遇到這些情況時

<p>停電</p>	<ul style="list-style-type: none"> <li>請保持雪櫃門的關閉，避免放入新的食品。</li> </ul>
<p>電源插頭斷開</p>	<ul style="list-style-type: none"> <li>請等待 7 分鐘後再插回電源插頭。 若馬上插回電源插頭會給壓縮機增加負荷，可能發生故障。</li> </ul>
<p>長時間不使用雪櫃</p>	<ul style="list-style-type: none"> <li>取出雪櫃內所有食品及飲料並對雪櫃進行清潔。             <ol style="list-style-type: none"> <li>切斷電源插頭。</li> <li>清潔內部部品和冰盒 (P.21)。</li> <li>將雪櫃的門打開兩三天使其內部乾燥 以免產生異味或發黴。</li> </ol> </li> </ul>
<p>移動或運輸雪櫃時</p>	<ul style="list-style-type: none"> <li>請不要橫著裝載雪櫃 否則可能會導致壓縮機周圍的管子破裂。</li> <li>握住固定腳、調節腳和搬運用把手，由至少兩人搬運。(P17)             <ol style="list-style-type: none"> <li>取出食品、冰盒裏的冰塊或水。</li> <li>拔下電源插頭。</li> <li>提起可調節支腳。</li> <li>放掉蒸發盤裏的水。</li> </ol> </li> </ul> <p><b>註：</b></p> <ul style="list-style-type: none"> <li>雪櫃內部冷卻器（從外部看不見）的霜沒有化掉有殘留的時候，移動、搬運時可能會溢出流到地面。拔下電源插頭後，冷卻器的霜完全融化大概需要 15個小時。</li> </ul>
<p>更換「LED 燈」時</p>	<ul style="list-style-type: none"> <li>當需要更換「LED 燈」時，請聯絡您的經銷商或授權服務中心。</li> </ul>



# 疑難排解

因為雪櫃內部的冷卻器（從外部看不見）上的霜會融化，所以在移動、搬運時可能有水流出。  
LED 照明燈損壞時或者燈罩開裂時，請聯絡您的經銷商或授權的維護中心。

冷卻	完全不能冷卻	<ul style="list-style-type: none"> <li>● 第一次使用雪櫃時，雪櫃完全冷卻需要 4 ~ 24 小時，甚至更久直到雪櫃完全冷卻。</li> <li>● 電源插頭是否斷開？</li> </ul>
	冷卻效果差	<ul style="list-style-type: none"> <li>● 食物是否堵塞出風口？（P20）</li> <li>● 雪櫃是否受太陽光直接照射或周圍有無微波爐等發熱器具？（P17）</li> <li>● 雪櫃與周圍是否保持了適當的距離？（P17）</li> <li>● 是否將熱的食品直接放入雪櫃或開門次數過多或存放了過多的食品？</li> <li>● 冷氣風量調節控制檔位是否設置在「標準」位置上？（P20）</li> </ul>
	結露	冷凍室 / 冷藏室 <ul style="list-style-type: none"> <li>● 溫度較高以及雪櫃門打開的時間較長，開啓次數較多時，往往會引起結露現象</li> </ul>
	食品凍結	<ul style="list-style-type: none"> <li>● 是否將水氣多的食品放在出風口附近（P20）</li> </ul>
聲音	震動而產生的噪音	<ul style="list-style-type: none"> <li>● 安裝地面是否平坦結實？（P17）</li> <li>● 雪櫃固定腳與調節腳是否都接觸到地面並且雪櫃被妥善的固定好了（P17）</li> <li>● 蒸發盤是否安裝牢固</li> </ul>
	奇怪的噪音	下列的聲音不是異常 <ul style="list-style-type: none"> <li>● “咕嚕、咕嚕”聲... 製冷劑在管路中流動時的聲音。</li> <li>● “嘶嘶”聲..... 在解凍過程中的水通過加熱器被蒸發的聲音。</li> <li>● “嗡嗡”聲..... 風扇運作的聲音。</li> <li>● “卡擦”聲..... 零件因溫度變化膨脹或收縮的聲音。</li> </ul>
氣味	內部有異味	<ul style="list-style-type: none"> <li>● 有強烈氣味的食物是否密封了？</li> <li>● 氣味往往粘付於內壁 將軟布浸入溫水並擠乾，然後用布擦拭。</li> </ul>
發熱	雪櫃箱體表面發熱	<ul style="list-style-type: none"> <li>● 雪櫃內裝有散熱管，以防止結露。剛開始使用及夏季尤其會變熱，這是正常現象。</li> </ul>

# 規格

型號	NR-B182W-SHK	NR-B182W-WHK
總體積	179 L	
總儲存量	158 L	
冷藏室儲存量	125 L	
冷凍室儲存量	33 L	
外形尺寸 寬度 x 深度 x 高度	480 mm x 586 mm x 1293 mm	
重量	37 kg/81 lb	
定額電壓	表示在冷藏室門內側的品質表示標籤。	
定額電源頻率		
冷媒	R600a	
發泡劑	環戊烷	

\* 本產品目錄所刊列之雪櫃容量乃根據 IEC 62552.

**Panasonic Corporation**  
Website: <http://panasonic.net>

© Panasonic Corporation 2018

Y0818-0  
ARAOA106450  
Printed in China