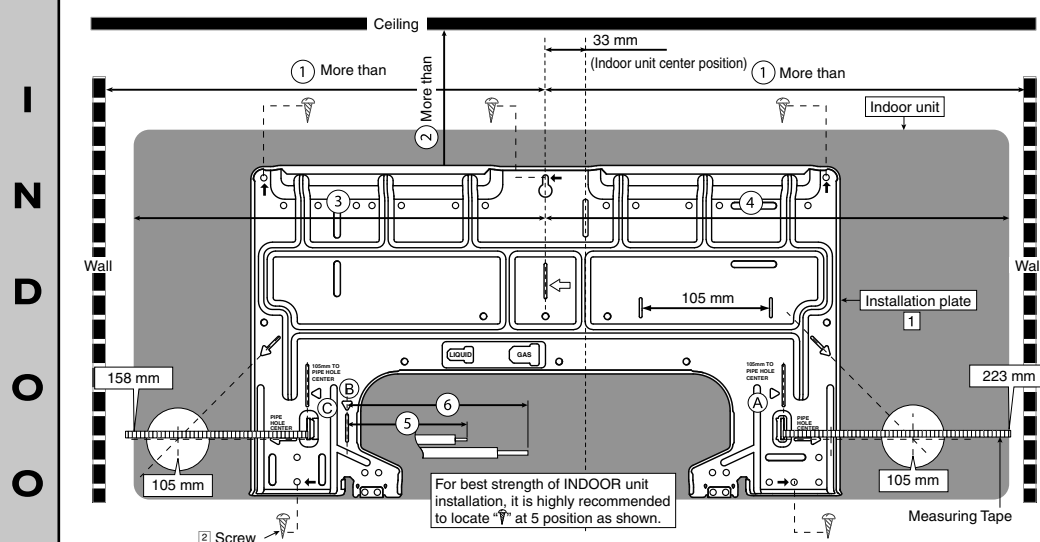


1 SELECT THE BEST LOCATION (Refer to "Select the best location" section)

2 HOW TO FIX INSTALLATION PLATE

The mounting wall shall be strong and solid enough to prevent it from vibration.

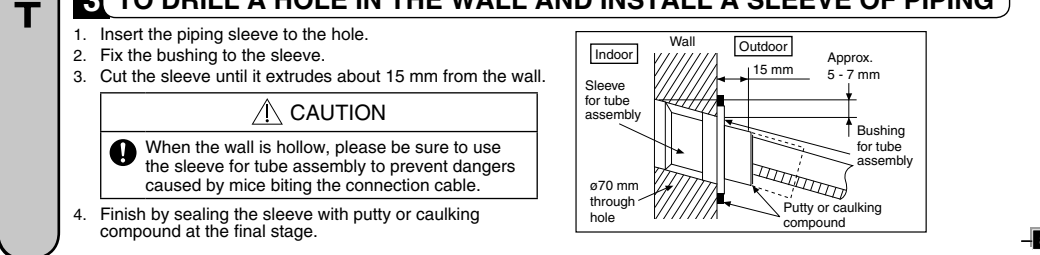


Dimension					
①	②	③	④	⑤	⑥
465 mm	68 mm (+)	350 mm	415 mm	71 mm	120 mm

- The center of installation plate should be at more than ① at right and left of the wall.
- The distance from installation plate edge to ceiling should be more than ②.
- From installation plate center to unit's left side is ③.
- From installation plate center to unit's right side is ④.
- For left side piping, piping connection for liquid should be about ⑤ from this line.
- For left side piping, piping connection for gas should be about ⑥ from this line.
- Alternatively, liquid and gas piping connection location reference is marked on installation plate.

- Mount the installation plate on the wall with 5 screws or more (at least 5 screws). (If mounting the unit on the concrete wall, consider using anchor bolts.)
- Always mount the installation plate horizontally by aligning the marking-off line with the thread and using a level gauge.
- Drill the piping plate hole with $\phi 70$ mm hole-core drill.
- Line according to the left and right side of the installation plate. The meeting point of the extended line is the center of the hole. Another method is by putting measuring tape at position as shown in the diagram above. The hole center is obtained by measuring the distance namely 105 mm for left and right hole respectively.
- Drill the piping hole at either the right or the left and the hole should be slightly slanting to the outdoor side.

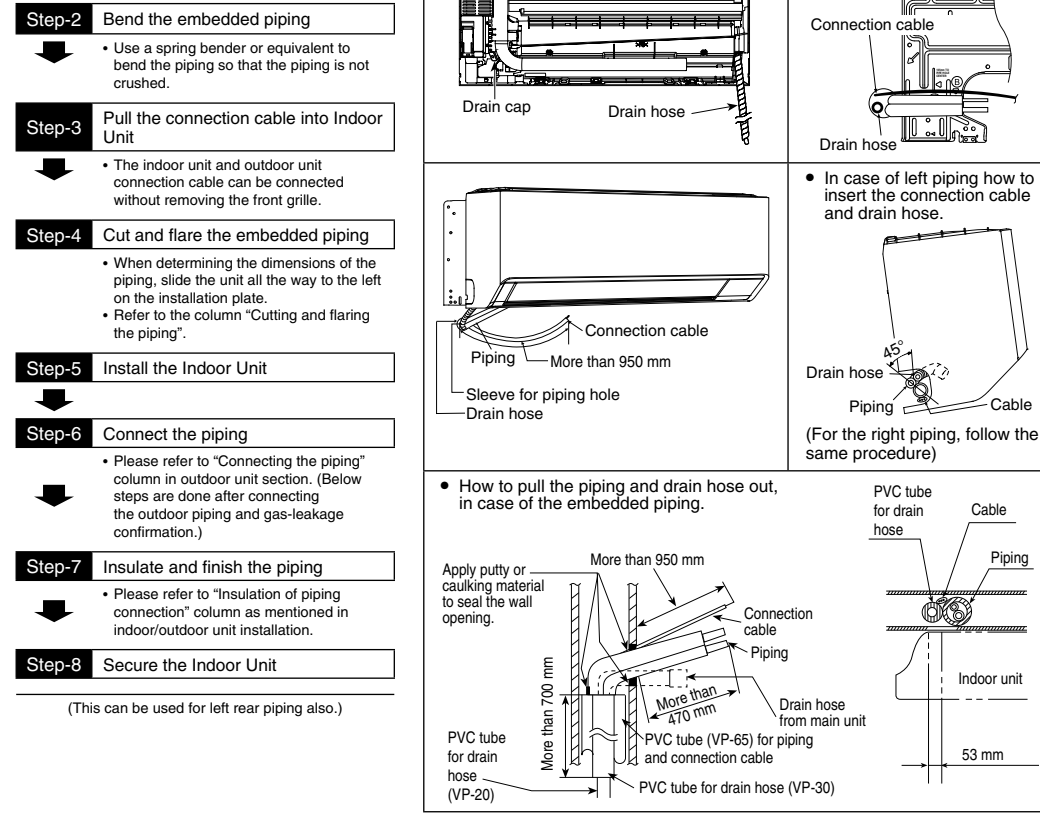
3 TO DRILL A HOLE IN THE WALL AND INSTALL A SLEEVE OF PIPING



CAUTION
When the wall is hollow, please be sure to use the sleeve for tube assembly to prevent dangers caused by mice biting the connection cable.

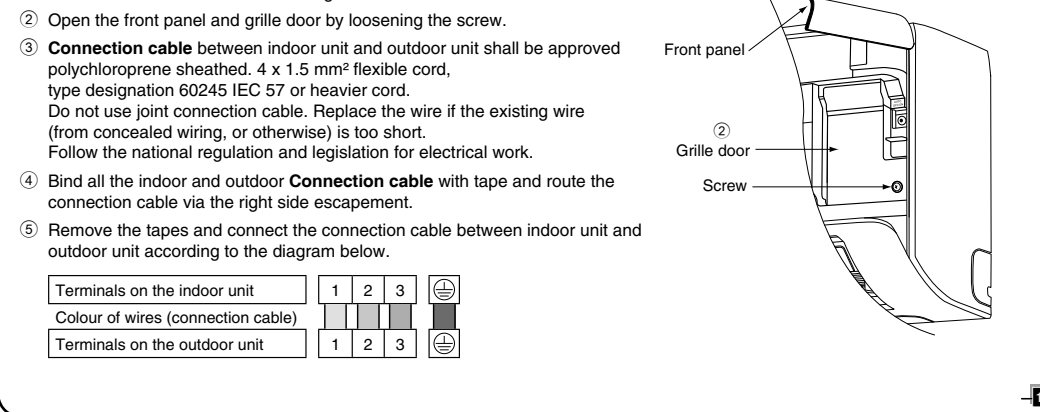
- Insert the piping sleeve to the hole.
- Fix the bushing to the sleeve.
- Cut the sleeve until it extrudes about 15 mm from the wall.
- Finish by sealing the sleeve with putty or caulking compound at the final stage.

3. FOR THE EMBEDDED PIPING



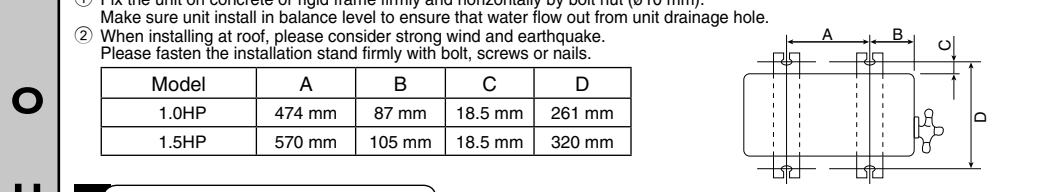
5 CONNECT THE CABLE TO THE INDOOR UNIT

The indoor and outdoor unit connection cable can be connected without removing the front grille.

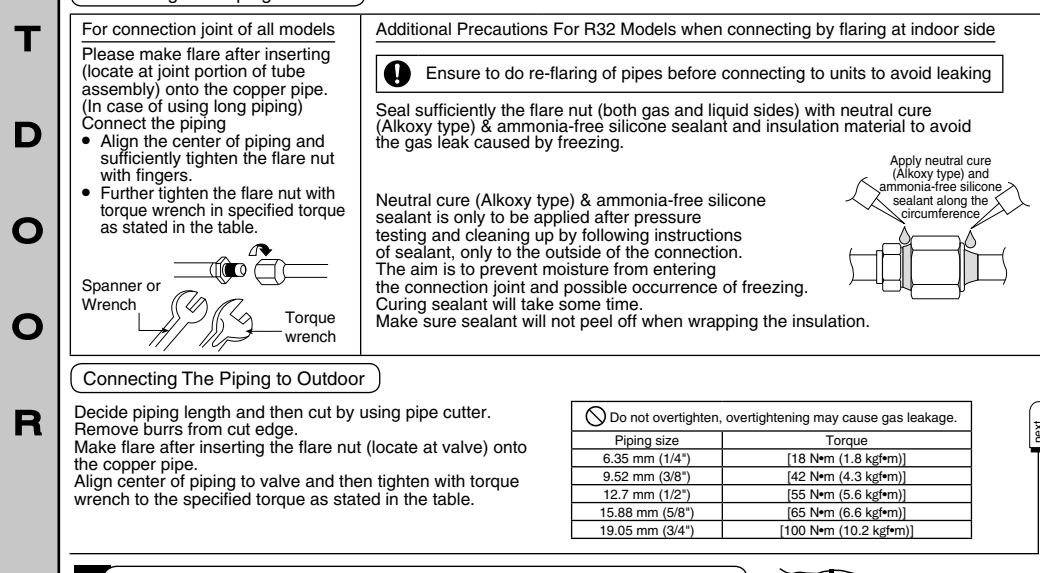


1 SELECT THE BEST LOCATION (Refer to "Select the best location" section)

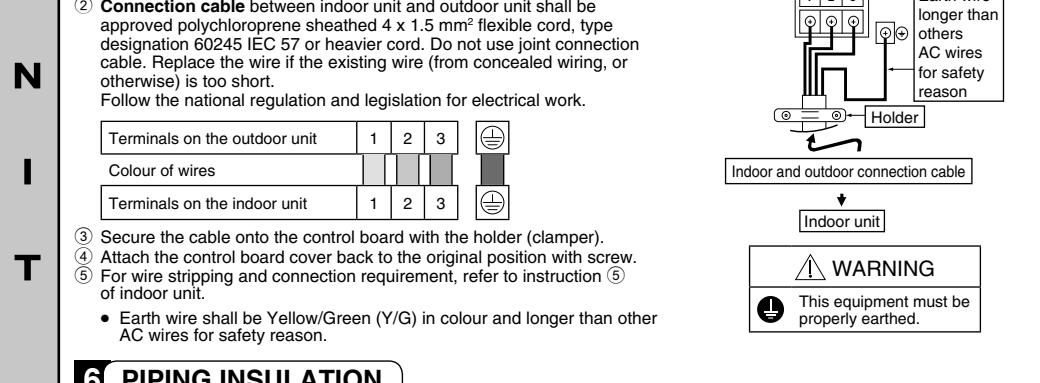
2 INSTALL THE OUTDOOR UNIT



3 CONNECT THE PIPING



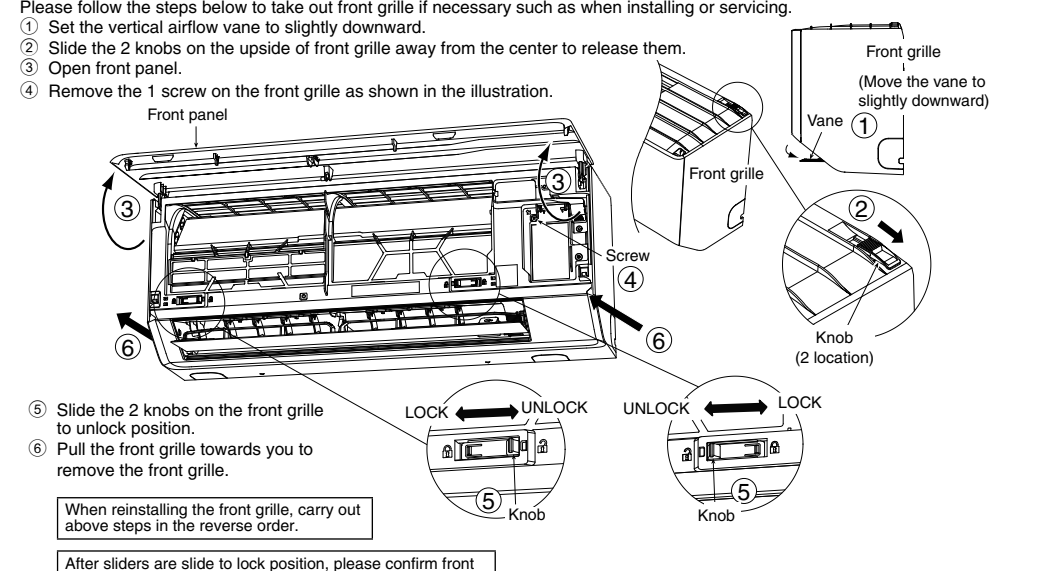
5 CONNECT THE CABLE TO THE OUTDOOR UNIT



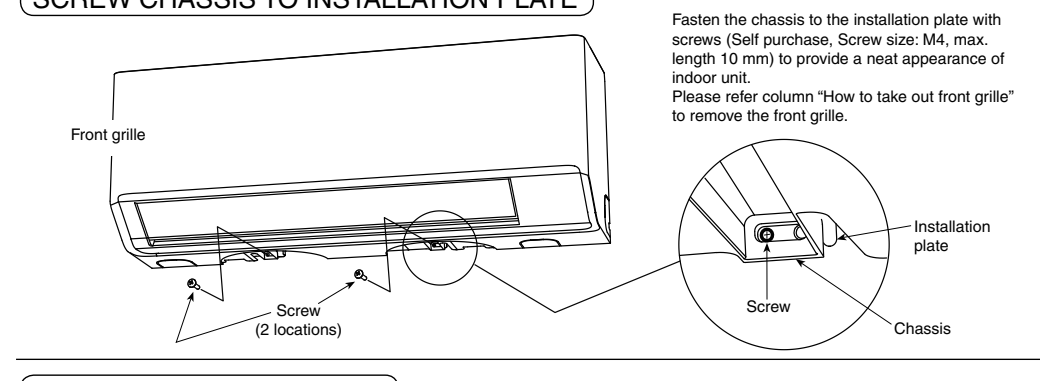
6 PIPING INSULATION

- Please carry out insulation at pipe connection portion as mentioned in Indoor/Outdoor Unit Installation Diagram. Please wrap the insulated piping end to prevent water from going inside the piping.
- If drain hose or connecting piping is in the room (where dew may form), please increase the insulation by using POLY-E FOAM with thickness 6 mm or above.

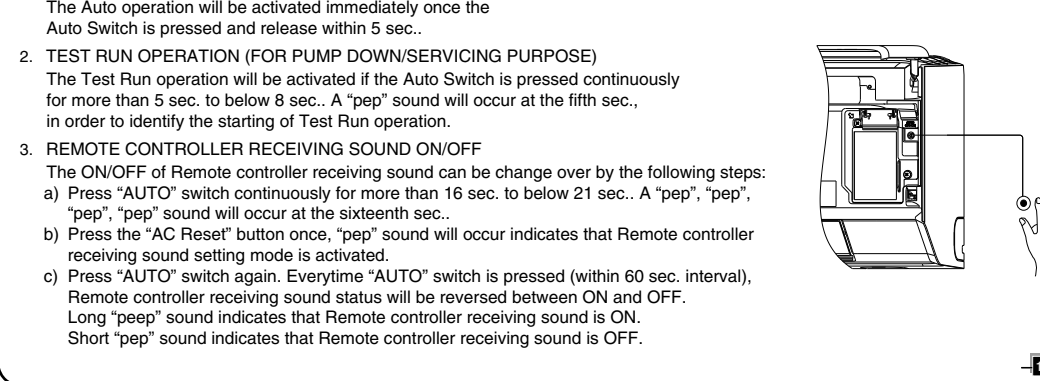
HOW TO TAKE OUT FRONT GRILLE



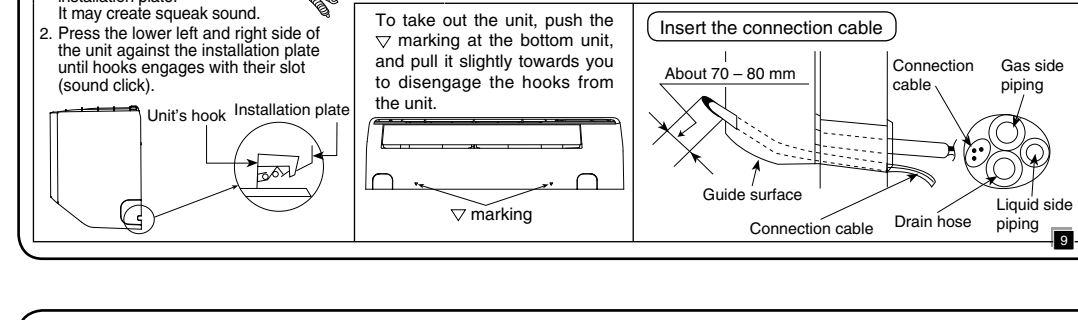
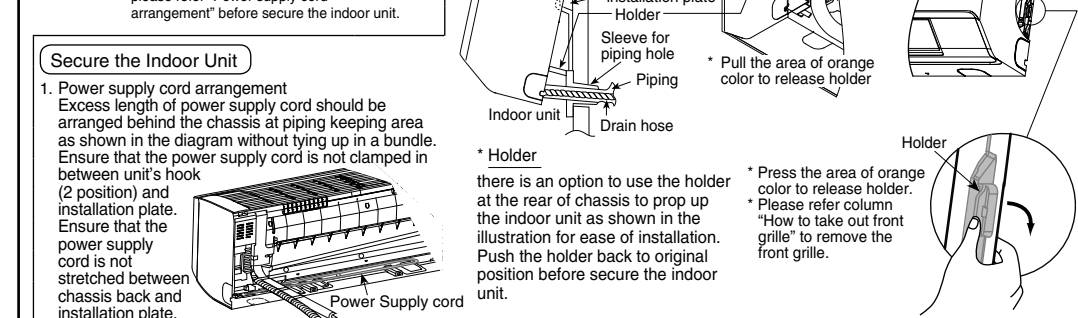
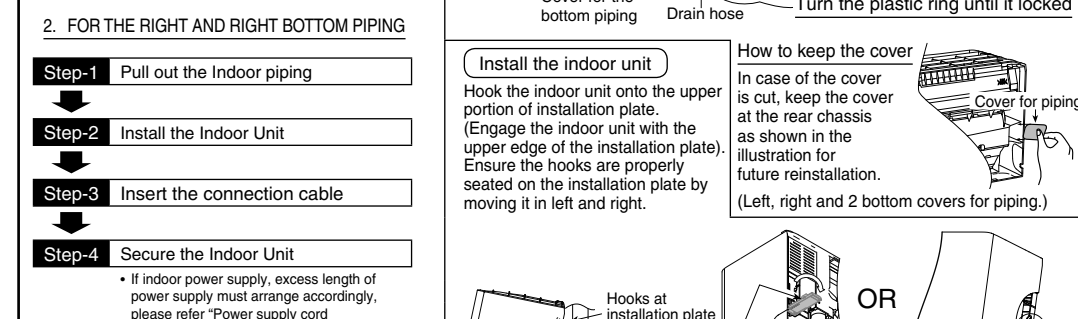
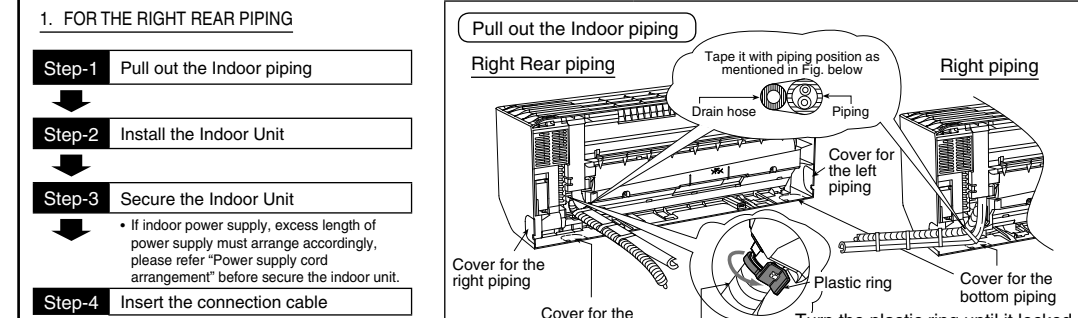
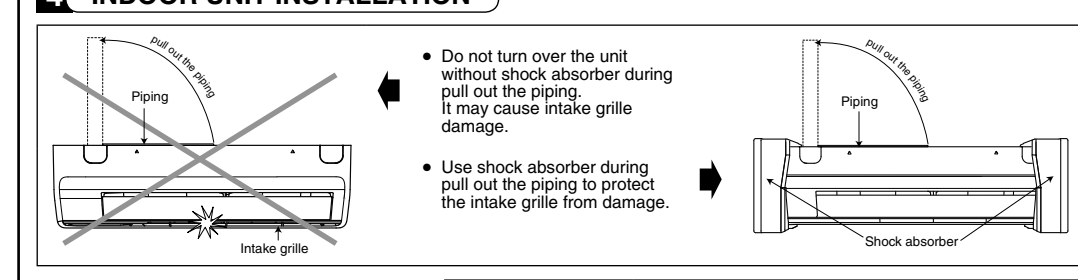
SCREW CHASSIS TO INSTALLATION PLATE



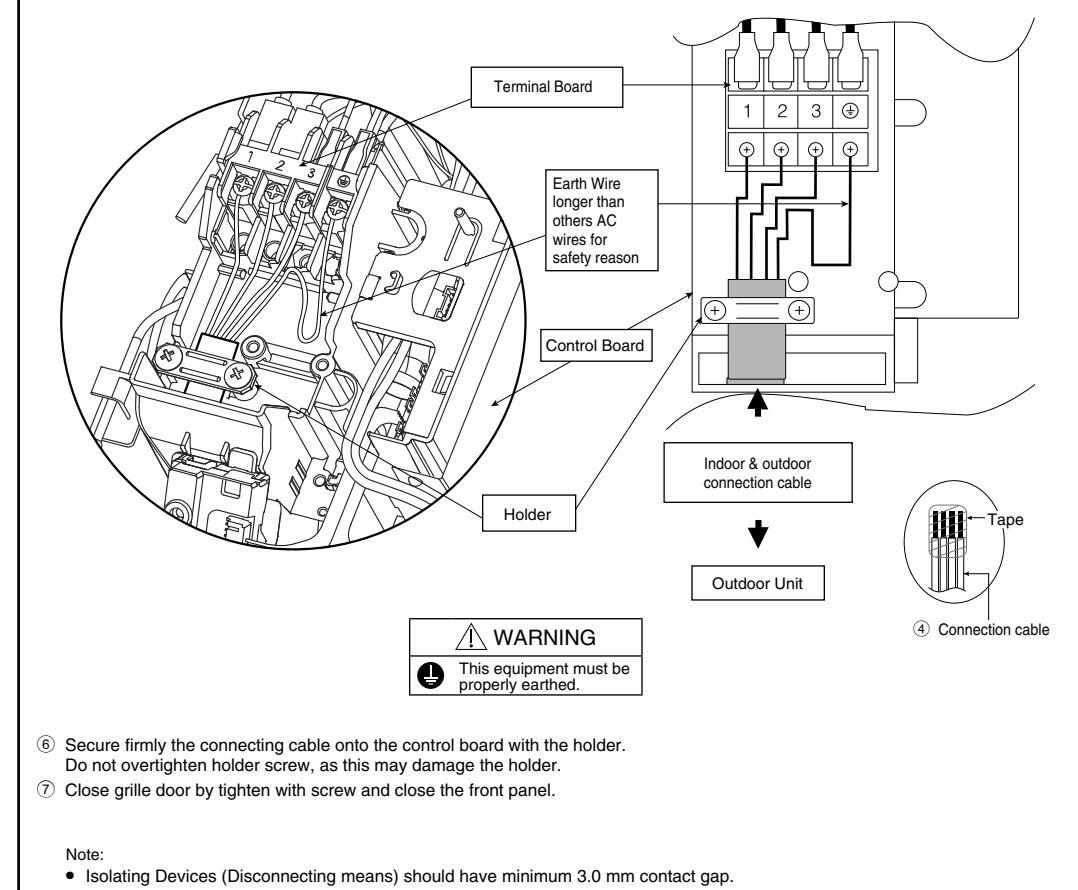
AUTO SWITCH OPERATION



4 INDOOR UNIT INSTALLATION

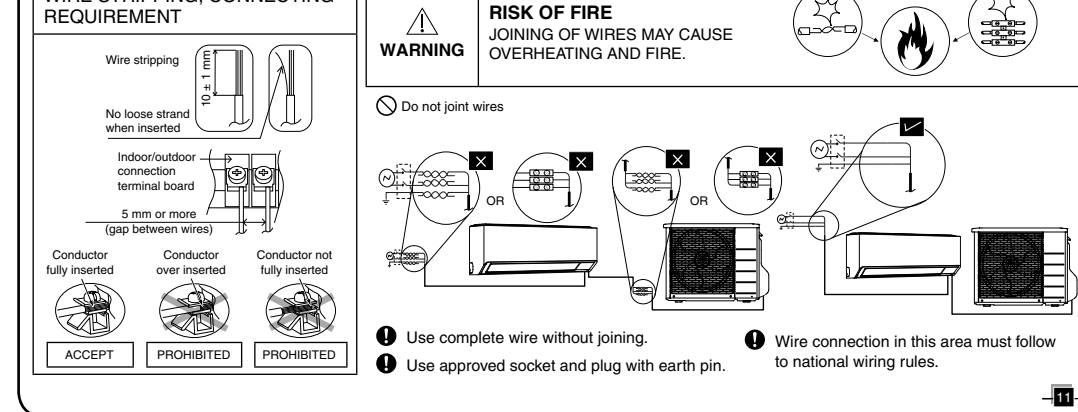


3. FOR THE EMBEDDED PIPING

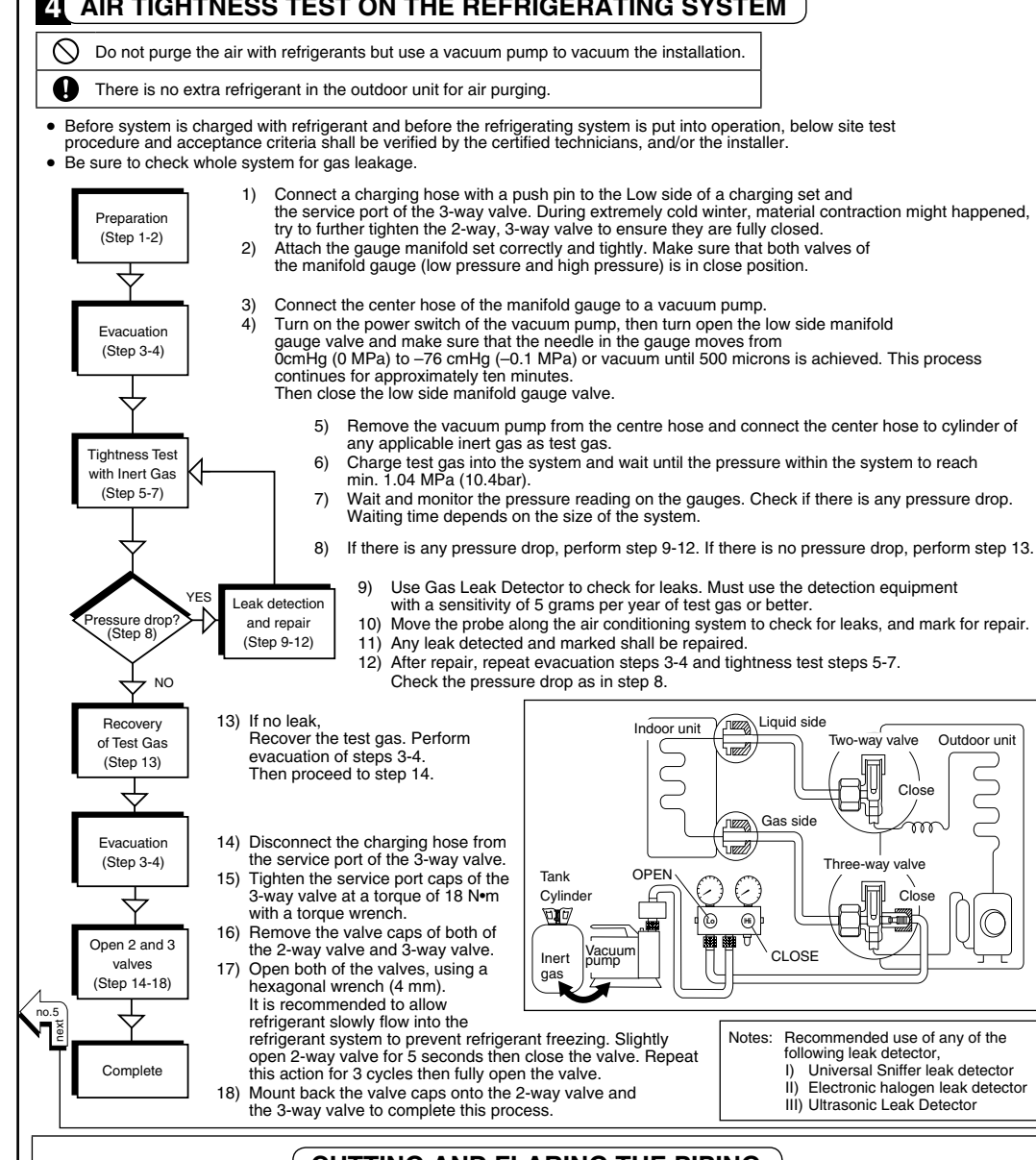


5 CONNECT THE CABLE TO THE INDOOR UNIT

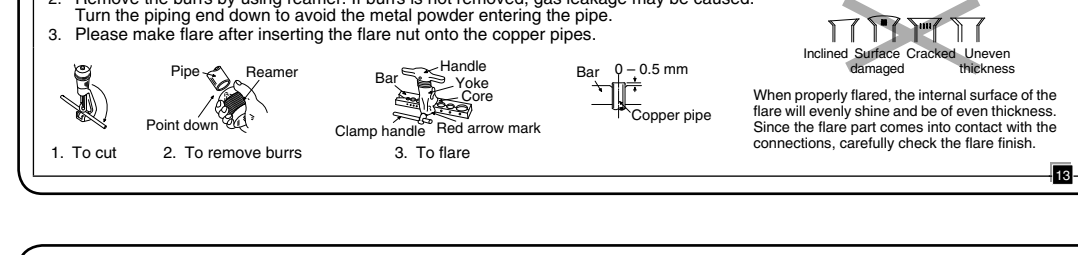
The indoor and outdoor unit connection cable can be connected without removing the front grille.



4 AIR TIGHTNESS TEST ON THE REFRIGERATING SYSTEM



CUTTING AND FLARING THE PIPING



DISPOSAL OF OUTDOOR UNIT DRAIN WATER

- If a drain elbow is used, the unit should be placed on a stand which is taller than 5 cm.
- If the unit is used in an area where temperature falls below 0°C for 2 or 3 days in succession, it is recommended not to use a drain elbow, for the drain water freezes and the fan will not rotate.

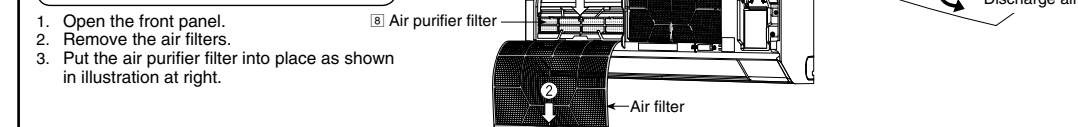
CHECK THE DRAINAGE

- Open front panel and remove air filters.
- Drainage checking can be carried out without removing the front grille.
- Pour a glass of water into the drain tray-styrofoam.
- Ensure that water flows out from drain hose of the indoor unit.

EVALUATION OF THE PERFORMANCE

- Operate the unit at cooling/heating operation mode for fifteen minutes or more.
- Measure the temperature of the intake and discharge air.
- Ensure the difference between the intake temperature and the discharge is more than 8°C during Cooling operation or more than 14°C during Heating operation.

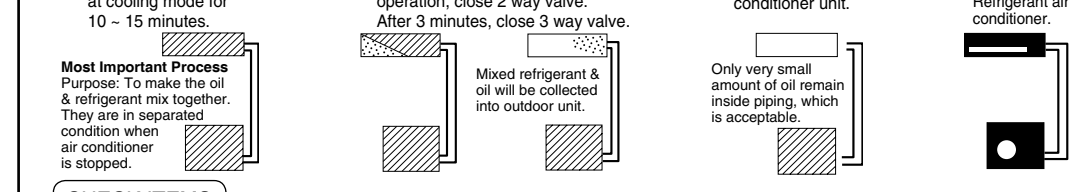
INSTALLATION OF FILTER



IN CASE OF REUSING EXISTING REFRIGERANT PIPING

- Observe the followings to decide reusing the existing refrigerant piping.
- Poor refrigerant piping could result in product failure.
- In the circumstances listed below, do not reuse any refrigerant piping. Instead, make sure to install a new piping.
 - Heat insulation is not provided for either liquid-side or gas-side piping or both.
 - The existing refrigerant pipe has been left in an open condition.
 - The diameter and thickness of the existing refrigerant piping does not meet the requirement.
 - The piping length and elevation does not meet the requirement.
- Perform proper pump down before reuse piping.
- In the circumstances listed below, clean it thoroughly before reuse.
 - Pump down operation cannot be performed for the existing air-conditioner.
 - The compressor has a failure history.
 - Oil color is darkened. (ASTM 4.0 and above).
 - The existing air-conditioner is gas/oil heat pump type.
 - Do not reuse the flare to prevent gas leak.
 - Make sure to install a new flare.
 - If there is a welded part on the existing refrigerant piping, conduct a gas leak check on the welded part.
 - Replace deteriorated heat insulating material with a new one.
 - Heat insulating material is required for both liquid-side and gas-side piping.

Insulating Pump Down Method



CHECKING ITEMS

- Is there any gas leakage at flare nut tightness?
- Has the heat insulation been carried out at flare nut connection?
- Is the installation cable being fixed to terminal board firmly?
- Is the connection cable being clamped firmly?
- Is the drainage ok? (Refer to "Check the drainage" section)
- Is the indoor unit properly done?
- Is the earth wire connection hooked to the installation plate?
- Is the power supply voltage complied with rated value?
- Is the cooling/heating operation normal?
- Is the thermostat operation normal?
- Is the remote control's LCD operation normal?

1 選擇最佳位置 (請參閱“選擇最佳位置”)

2 如何固定安裝板

安裝板應足夠堅硬和牢固，以防止機組震動。

①	②	③	④	⑤	⑥
465 mm	68 mm (+)	350 mm	415 mm	71 mm	120 mm

- 安裝板的中心點到左及右邊牆壁距離應大於 ①。
- 從安裝板邊緣到天花板的距離應大於 ②。
- 從安裝板中心到本機的左側為 ③。
- 從安裝板中心到本機的右側為 ④。
- 至於左邊導管，從這條線起至液體導管連接的距離應為 ⑤。
- 至於右邊導管，從這條線起至氣體導管連接的距離應為 ⑥。
- 亦可參照安裝板上的標記連接液體導管及氣體導管。

3 在牆上鎖孔及安裝導管套管

- 將導管套管插入孔中。
- 為套管裝上襯套。
- 切割套管，讓牆外側留下約 15 mm 長的套管。

當牆壁為空心結構時，務請使用套管用管套，以防止老舊吸塵連接電纜而導致的危險。

- 最後，用石灰或填縫膠封住套管。

3. 嵌入式配管的處理

- 更改排水管的位置
- 將嵌入式導管剪齊
- 引導連接電纜進入室內機
- 切割和擴大嵌入式導管
- 安裝室內機
- 連接管子
- 為導管進行隔熱及成型處理
- 固定室內機

5 將電纜連接至室內機

室內和室外機連接電纜可以在不拆卸前格柵的情況下進行連接。

- 將室內機安裝在裝在牆壁上的安裝支架。
- 鬆開螺絲然後打開前板及格柵門。
- 室內和室外的**連接電纜**應採用被核准的聚乙烯 4 x 1.5 mm² 軟線，類型標明為 60245 IEC 57 或更重的電纜。切勿使用較輕連接電纜。若現有(隱藏配線或其它)電纜太短，請更換之。應遵循有關電氣工作的國家法規和標準。
- 用膠帶綁起所有室內機和室外機的**連接電纜**，並將連接電纜連至左邊出口。
- 如下圖所示，移除膠帶及連接室內機和室外機之間的連接電纜。

室內機組上的端子: 1 2 3 4
電纜的顏色 (連接電纜): 1 2 3
室外機組上的端子: 1 2 3

1 選擇最佳位置 (請參閱“選擇最佳位置”)

2 裝置室外機

選定最佳位置後，依照室內/室外機安裝圖進行安裝。

- 用螺絲 (ø10 mm 直徑) 將室外機掛架打樁地裝上牆上或板上面。
- 若裝在屋頂，請考慮到強風和地震。

型號	A	B	C	D
1.0HP	474 mm	87 mm	18.5 mm	261 mm
1.5HP	570 mm	105 mm	18.5 mm	320 mm

3 連接管子

連接配管至室內

所有型號的連接配管

R32 型號在室內側以擴口方式連接時的其他注意事項

連接配管至室外

配管尺寸	壓力
6.35 mm (1/4")	18 Nm (1.8 kgf/cm)
9.52 mm (3/8")	42 Nm (4.3 kgf/cm)
12.7 mm (1/2")	55 Nm (5.6 kgf/cm)
15.88 mm (5/8")	65 Nm (6.6 kgf/cm)
19.05 mm (3/4")	100 Nm (10.2 kgf/cm)

5 將電線連接至室外機

6 喉管絕緣

如何取出前格柵

用螺絲將機箱安裝在安裝板上

自動開關操作

安裝過濾器

在重新使用現有冷凍劑配管的情況下

正確的抽氣方法

檢查排水

性能評估

4 室內機的安裝

- 右後導管的安裝
- 右邊和右下部導管的安裝
- 固定室內機

固定室內機

插入連接電纜

4 製冷系統氣密測試

切割和擴大導管

如何處理室外機排出的水

檢查排水

安裝過濾器

在重新使用現有冷凍劑配管的情況下

正確的抽氣方法

檢查排水

4 製冷系統氣密測試

如何處理室外機排出的水

檢查排水

性能評估

安裝過濾器

在重新使用現有冷凍劑配管的情況下

正確的抽氣方法

檢查排水

如何取出前格柵

用螺絲將機箱安裝在安裝板上

自動開關操作

安裝過濾器

在重新使用現有冷凍劑配管的情況下

正確的抽氣方法

檢查排水

性能評估