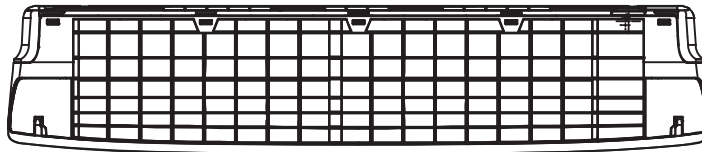
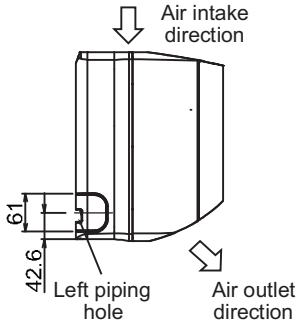


## 5.1.2 CS-E18VKA CS-E24VKA

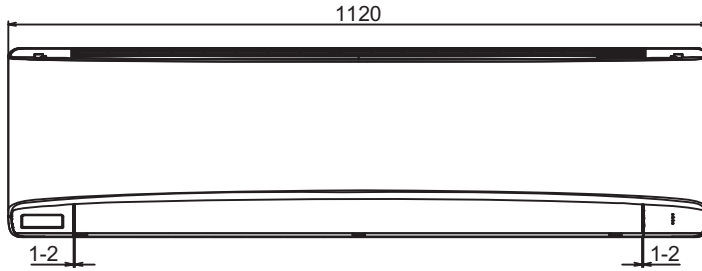
<Top View>



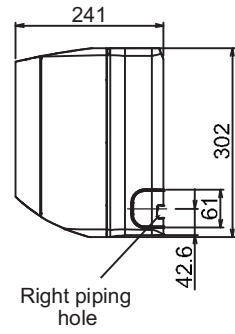
<Side View>



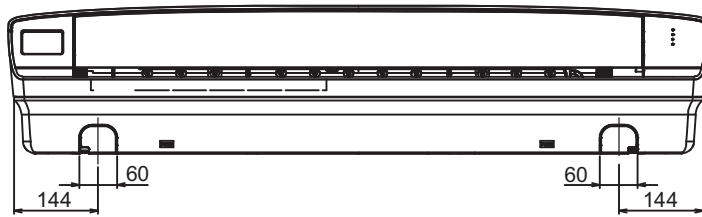
<Front View>



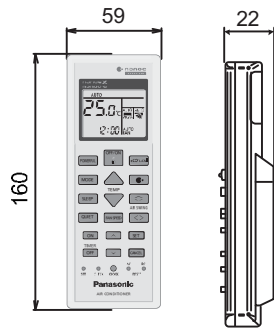
<Side View>



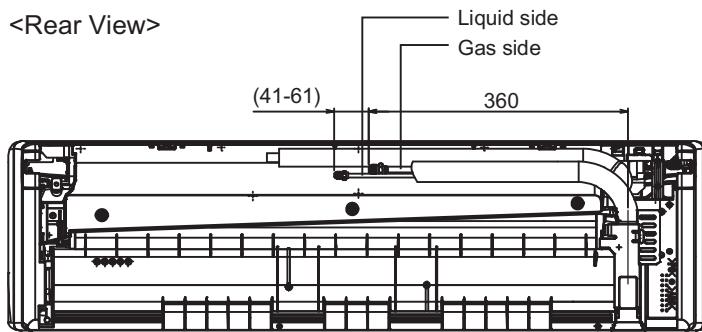
<Bottom View>



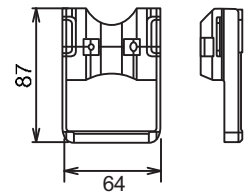
<Remote Control>



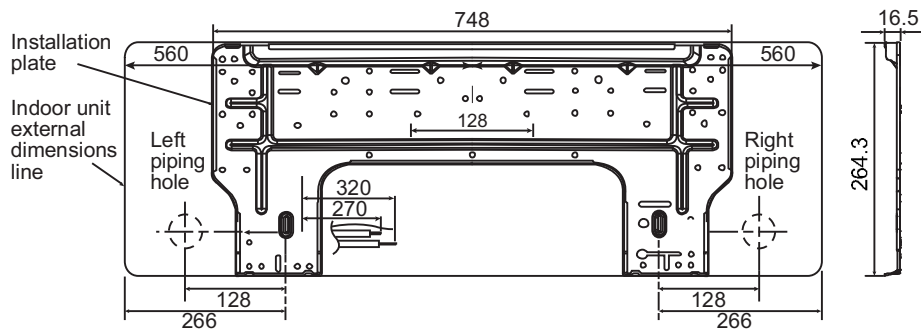
<Rear View>



<Remote Control Holder>



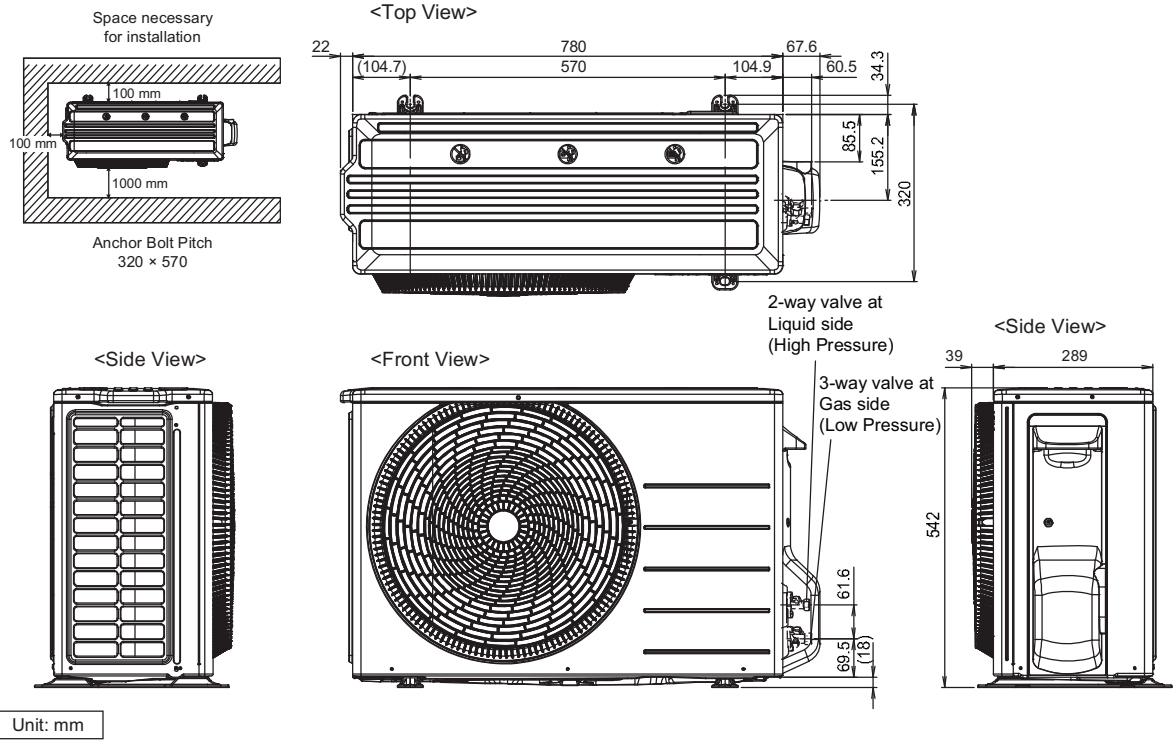
Relative position between the indoor unit and the installation plate <Front View>



Unit: mm

## 5.2 Outdoor Unit

### 5.2.1 CU-E9VKA CU-E12VKA



### 5.2.2 CU-E18VKA

